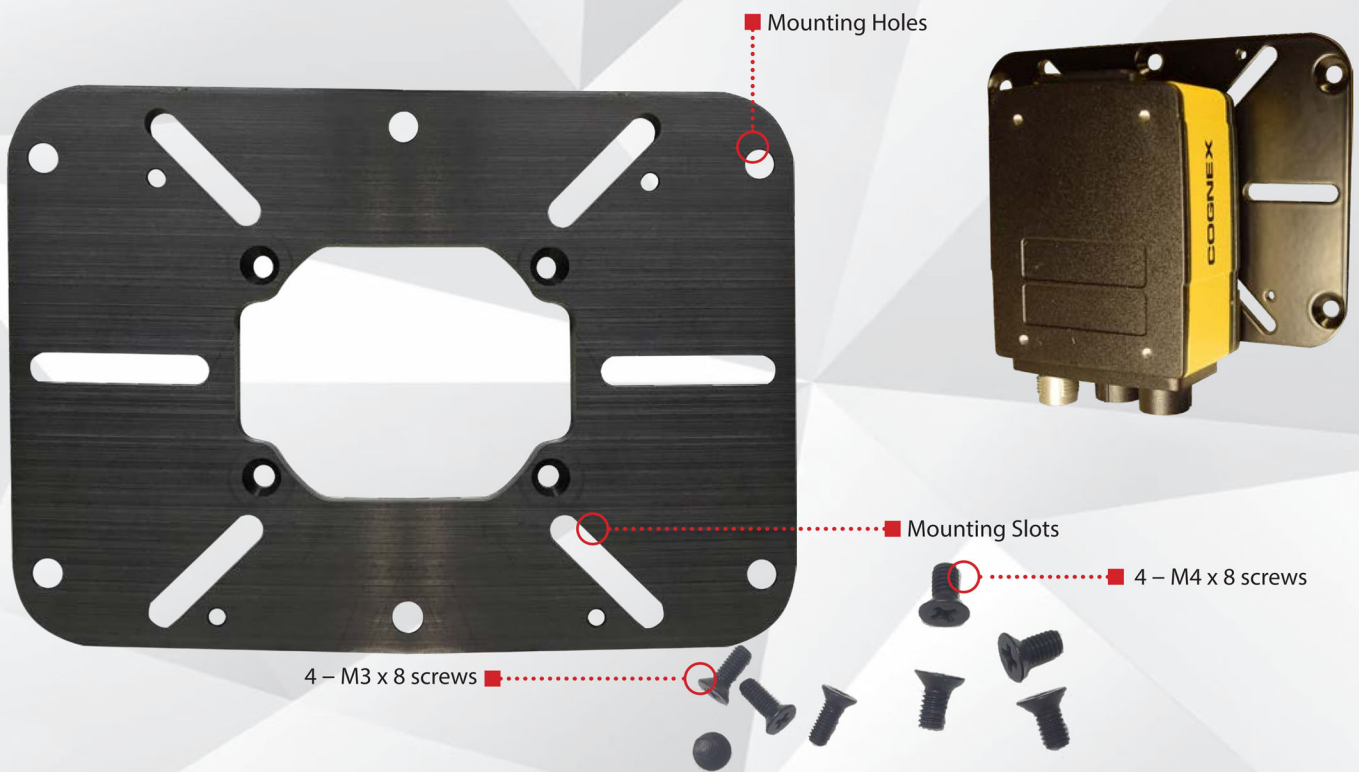
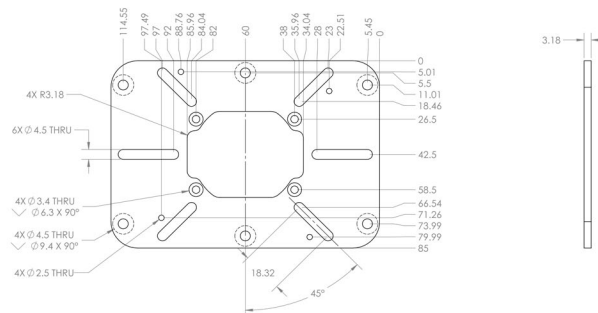


## P R O D U C T D A T A S H E E T



## PRODUCT SPECIFICATIONS

- ✓ This camera mount allows simple mounting of multiple Smart Vision Lights' lights to a Cognex In-Sight 7000Gen2 camera
- ✓ Includes: 4 – M3 x 8 screws
- ✓ Includes: 4 – M4 x 8 screws



CAD files available on our website.  
Dimensions are in mm.

