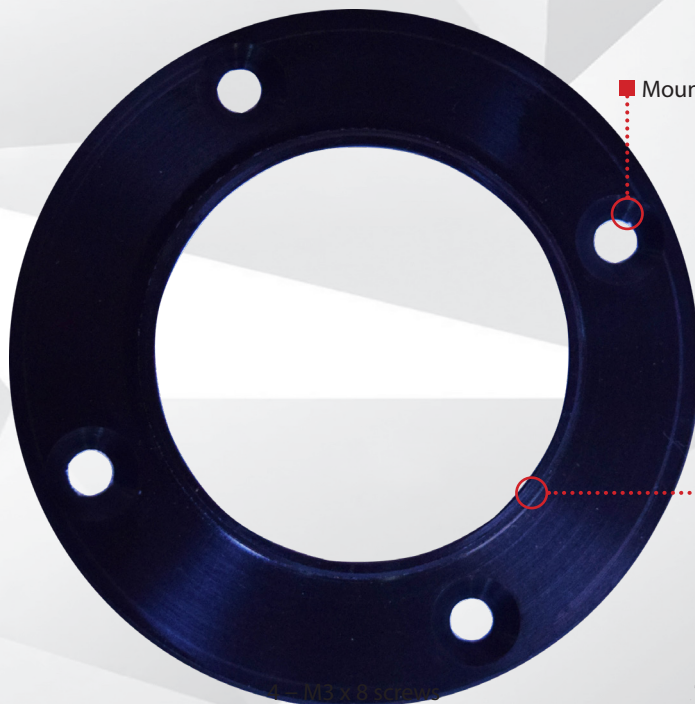


P R O D U C T D A T A S H E E T



■ Mounting Holes



RM75 shown

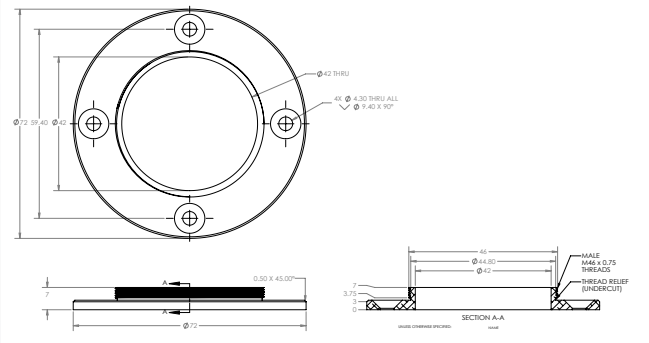
■ M46 x P 0.75 for Light/Adapter
(Male Thread)



■ 4 – M4 x 8 screws

PRODUCT SPECIFICATIONS

- ✓ Camera adapter allows simple mounting of a RM75 or RMX75 Mini Ring Light
- ✓ Adapters available for varies camera thread sizes
- ✓ Thread size for camera is M46 x P 0.75
- ✓ Includes: 4 – M4 x 8 screws



CAD files available on our website.
Dimensions are in mm.

