

## product features

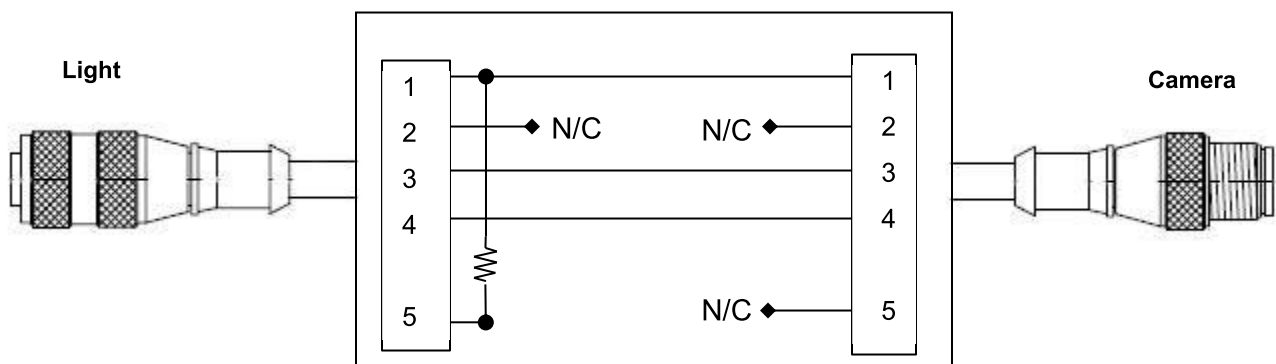


- Direct Connection to Dalsa BOA Camera
- Industry Standard M12 Connection
- Power, Ground and Strobe Pass Through
- Compatible with Smart Vision Lights - CTL Light Series

## product specifications

Conductors	5x22 AWG
Temperature Range	-40°C to 105°C
Protection Class	NEMA 1,3,4,6P and IEC IP68, IP69K
Cable Jacket Color	Grey

## CAD image



Part Number	Length
5PM12-J300-CTL	0.3 meter
5PM12-J1000-CTL	1 meter
5PM12-J2000-CTL	2 meter

\*Additional lengths available upon request.