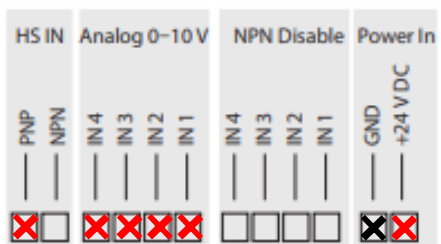


✕ = Ground (0v)

✖ = Positive (24v)

Continuous Mode
All Zones on(PNP)

Input Connectors (top of 4WMD)



Input Channels

HS IN — High-speed PNP or NPN strobing/trigger

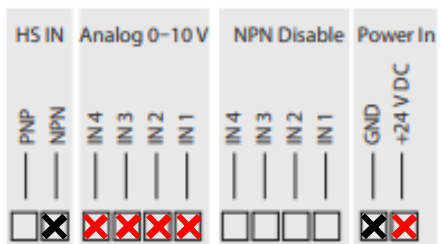
Power In — Power source

NPN Disable — Disable operation of a channel

Analog 0-10 V — Input for setting intensity for continuous mode (1-10VDC) or OverDrive™ strobe mode (0VDC)

Continuous Mode
All Zones on(NPN)

Input Connectors (top of 4WMD)



Input Channels

HS IN — High-speed PNP or NPN strobing/trigger

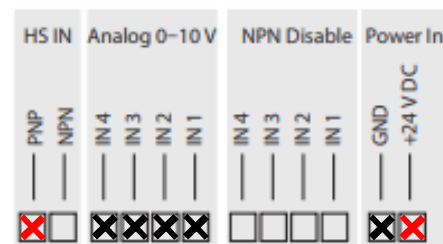
Power In — Power source

NPN Disable — Disable operation of a channel

Analog 0-10 V — Input for setting intensity for continuous mode (1-10VDC) or OverDrive™ strobe mode (0VDC)

OverDrive Mode
All Zones on(PNP)

Input Connectors (top of 4WMD)



Input Channels

HS IN — High-speed PNP or NPN strobing/trigger

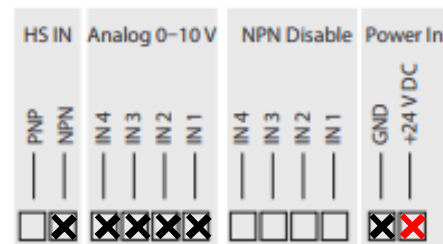
Power In — Power source

NPN Disable — Disable operation of a channel

Analog 0-10 V — Input for setting intensity for continuous mode (1-10VDC) or OverDrive™ strobe mode (0VDC)

OverDrive Mode
All Zones on(NPN)

Input Connectors (top of 4WMD)



Input Channels

HS IN — High-speed PNP or NPN strobing/trigger

Power In — Power source

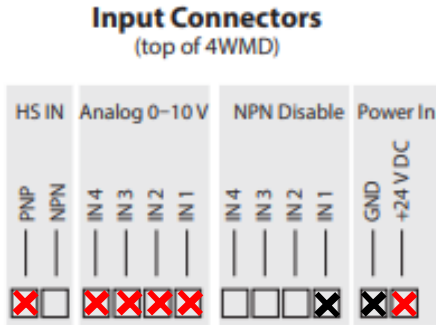
NPN Disable — Disable operation of a channel

Analog 0-10 V — Input for setting intensity for continuous mode (1-10VDC) or OverDrive™ strobe mode (0VDC)

✕ = Ground (0v)

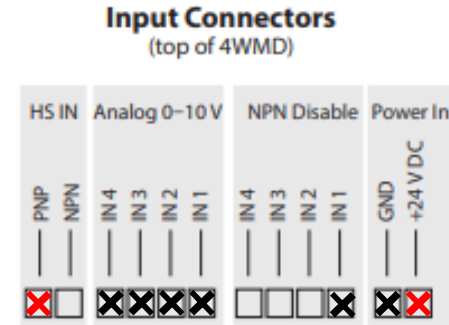
✖ = Positive (24v)

Continuous Mode
One Zone
Disabled(PNP)



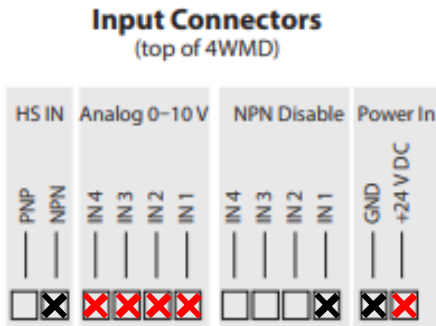
Input Channels
HS IN — High-speed PNP or NPN strobing/trigger
Power In — Power source
NPN Disable — Disable operation of a channel
Analog 0-10 V — Input for setting intensity for continuous mode (1-10VDC) or OverDrive™ strobe mode (0VDC)

OverDrive Mode
One Zone
Disabled(PNP)



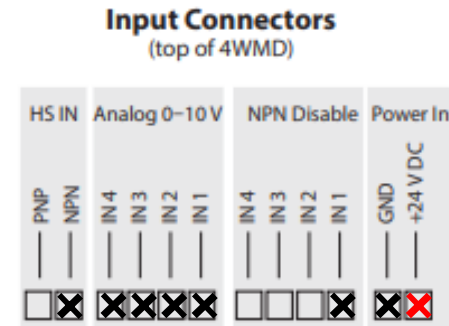
Input Channels
HS IN — High-speed PNP or NPN strobing/trigger
Power In — Power source
NPN Disable — Disable operation of a channel
Analog 0-10 V — Input for setting intensity for continuous mode (1-10VDC) or OverDrive™ strobe mode (0VDC)

Continuous Mode
One Zone
Disabled(NPN)



Input Channels
HS IN — High-speed PNP or NPN strobing/trigger
Power In — Power source
NPN Disable — Disable operation of a channel
Analog 0-10 V — Input for setting intensity for continuous mode (1-10VDC) or OverDrive™ strobe mode (0VDC)

OverDrive Mode
One Zone
Disabled(NPN)



Input Channels
HS IN — High-speed PNP or NPN strobing/trigger
Power In — Power source
NPN Disable — Disable operation of a channel
Analog 0-10 V — Input for setting intensity for continuous mode (1-10VDC) or OverDrive™ strobe mode (0VDC)