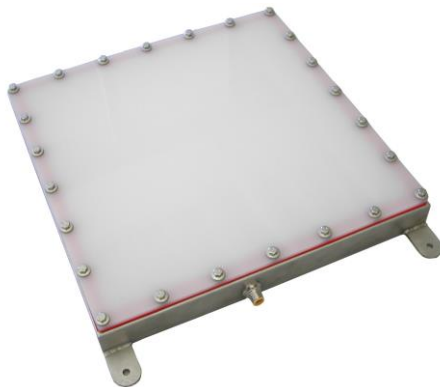



product introduction

The SOBLW Series features a stainless steel IP68 rated enclosure with sealed bolts and waterproof connector for applications in wash down and corrosive environments. The SOBLW Backlight series of lights are an innovative and highly versatile light with many custom sizes available. The SOBLW Series of backlights offers backlit LED's for a more intense and highly diffuse lighting option. With its built in driver, no external wiring is needed and its narrow depth of just 30mm allows for mounting in tight locations. Active area dimensions (mm) include but are not limited to 150x150, 300x150, 300x300, and 450x450. Contact Smart Vision Lights for more information on sizing availability.


product features


- IP68 Standards
- Stainless Steel 316 Housing
- Meets FDA Compliancy
- Driver Built In – No External Wiring To A Driver
- PNP and NPN Strobe Input
- Continuous Operation or Strobe Mode
- Analog Intensity 0-10VDC Signal
- Offered in White, Red, Green, Blue, IR


product specifications

Electrical Input	24 VDC +/- 5%
Current	Based on size. Contact Smart Vision Lights
Wattage	Based on size. Contact Smart Vision Lights
Strobe Input	PNP ► +3VDC or greater to activate. NPN ► GND (<1VDC) to activate
PNP Line	3.7mA @ 3VDC 6.2mA @ 5VDC 12.6mA @ 10VDC 30.4mA @ 24 VDC
NPN Line	22mA @ Common (0VDC)
Continuous Mode	Light will be in continuous mode by leaving signal on strobe input active
Analog Intensity	The output is adjustable from 10 -100% of brightness by a 0 -10 VDC signal
Connection	5 pin M12 connector
Lifespan	100,000 hrs
Ambient Temp.	-20° - 50° C (-4° - 122° F)
IP Rating	IP68
Compliances	CE and RoHS
Weight	Based on size. Contact Smart Vision Lights
IEC 62471 Rating	See page 3



product number **key**

SOBLW – XXX x XXX - XXX—» Part Number Key

Product Family:
Backlight
SOBLW

Dimension:
Measured active area. (mm)
Contact SVL for more info.

Color:
470 – Blue
530 – Green
625 – Red
850 – IR
WHI - White

CE and RoHS Compliant



warnings



Attention

Please note that the power requirements vary according to size. Contact Smart Vision Lights for more information regarding current and wattage ratings.



wiring **configuration**

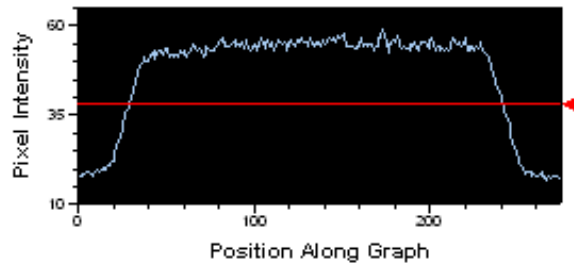
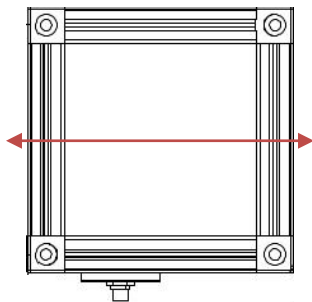
**If Analog 0-10 VDC is not used to control light intensity;
+VDC (24VDC) must be connected to Analog Input - Jumper pin 5 to pin 1**

	Pin	Function	Signal	Wire Color
	1	Power In	+24VDC	BROWN
	2	NPN	Sinking Signal	WHITE
	3	GND	Ground	BLUE
	4	PNP	Sourcing Signal	BLACK
	5	Intensity Control	0-10VDC	GREY †

† Some cables use green with yellow stripe for 0-10V adjustment



optical **performance**



The SOBLW offers a very diffuse light pattern at any defined working distance. The Pixel Graph representation shows a steep drop off in intensity outside of the active area with a very diffuse light pattern inside.

Average Intensity Rating

30,000 lux

*Lux measurement taken at surface of SOBLW.



According to IEC 62471:2006. Full documentation upon request.

Notice

Exempt Group: No photo biological hazard to eyes or skin even for continuous, unrestricted use.
Applicable for wavelengths: 530, 625, 850 and WHI.

Caution

Risk Group 1: Possibly hazardous optical radiation emitted from this product. Do not stare at operating lamp. May be harmful to eye. Safe for most applications except prolonged exposures.
Applicable for wavelengths: 470.