


product introduction

The DLPW Front Light Washdown Series of lights are an innovative and highly versatile light with multiple custom sizes available. The DLPW Series of front lights offers backlit LED's for a more intense and highly diffuse lighting option. With its built in driver, no external wiring is needed and its narrow depth of just 30mm allows for mounting in tight locations. The DLPW Series of front lights offer a 65mm camera hole in the center for ease of viewing. Active area measurements include 190mm x 190mm, 300mm x 300mm, and 600mm x 600mm. Contact Smart Vision Lights for larger dimensions.


product features


- IP68 Standards
- Stainless Steel 316 Housing
- Meets FDA Compliancy
- Driver built in – No External wiring to a driver
- PNP and NPN Strobe input
- Continuous operation or Strobe mode
- Center camera hole
- Offered in White, Red, Green, Blue, IR


product specifications

Electrical Input	24VDC +/- 5%
Current	Based on size. Contact Smart Vision Lights
Wattage	Based on size. Contact Smart Vision Lights
Brightness	30,000 lux - measured at surface of light
Strobe Input	PNP ► +3VDC or greater to activate. NPN ► GND (<1VDC) to activate
PNP Line	3.7mA @ 3VDC 6.2mA @ 5VDC 12.6mA @ 10VDC 30.4mA @ 24VDC
NPN Line	22mA @ Common (0VDC)
Continuous Mode	Light will be in continuous mode by leaving signal on strobe input active
Analog Intensity	The output is adjustable from 10% -100% of brightness by a 0 -10VDC signal
Connection	5 pin M12 connector
Lifespan	100,000 hrs
Ambient Temp.	-20° - 50° C (-4° - 122° F)
IP Rating	IP68
Compliances	CE and RoHS
Weight	Based on size. Contact Smart Vision Lights
IEC 62471 Rating	See page 3



product number key

DLPW - XXX x XXX - XXX —» Part Number Key

Product Family:
Washdown
Backlight
DLPW

Dimension:
Measured active area (mm)
190x190, 300x300, 600x600

Color:
470 – Blue
530 – Green
625 – Red
850 - IR
WHI - WHITE

CE and RoHS Compliant



warnings



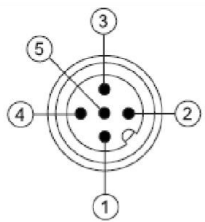
Attention

Please note that the power requirements vary according to size. Contact Smart Vision Lights for more information regarding current and wattage ratings.



wiring configuration

If Analog 0-10 VDC is not used to control light intensity;
+VDC (24VDC) must be connected to Analog Input - Jumper pin 5 to pin 1

	Pin	Function	Signal	Wire Color
	1	Power In	+24VDC	BROWN
	2	NPN	Sinking Signal	WHITE
	3	GND	Ground	BLUE
	4	PNP	Sourcing Signal	BLACK
	5	Intensity Control	0-10VDC	GREY †

† Some cables use green with yellow stripe for 0-10V



mounting & accessories

All mounting is provided by four
5/16" hole welded tabs.

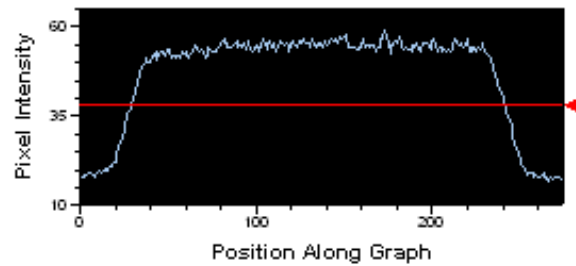
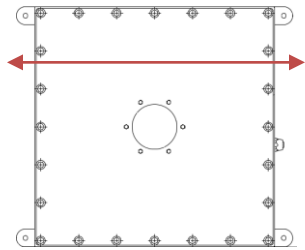
Mounting

Polarizer options are available. Contact Smart
Vision Lights for more information.

Polarizer



optical performance



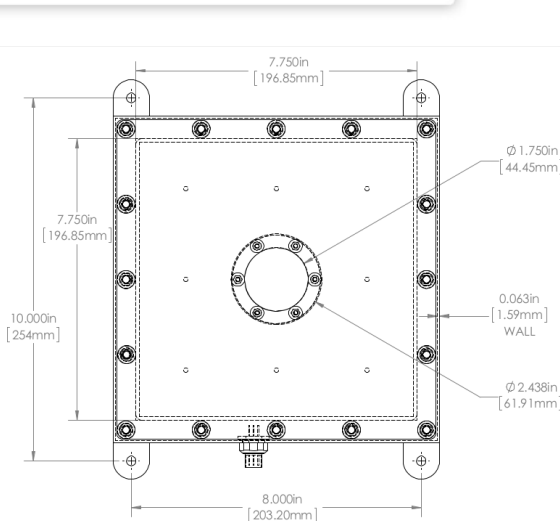
The DLPW Washdown offers a very diffuse light pattern at any defined working distance. The Pixel Graph representation shows a steep drop off in intensity outside of the active area with a very diffuse light pattern inside.

Average Intensity Rating	30,000 lux
---------------------------------	-------------------

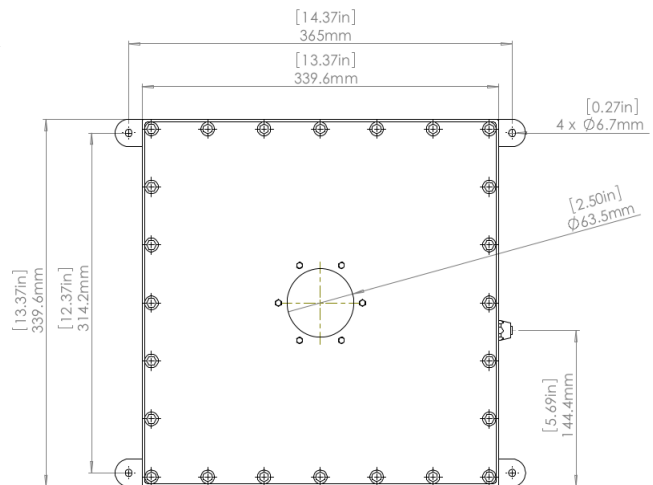
*Lux measurement taken at surface of DLPW.



CAD image



DLPW-190x190
Dimensional



DLPW-300x300
Dimensional



risk group

Notice

Exempt Group: No photo biological hazard to eyes or skin even for continuous, unrestricted use. Applicable for wavelengths: 625 and 850.

Caution

Risk Group 1: Possibly hazardous optical radiation emitted from this product. Do not stare at operating lamp. May be harmful to eye. Safe for most applications except prolonged exposures. Applicable for wavelengths: 470, 530, and WHI.