

product features

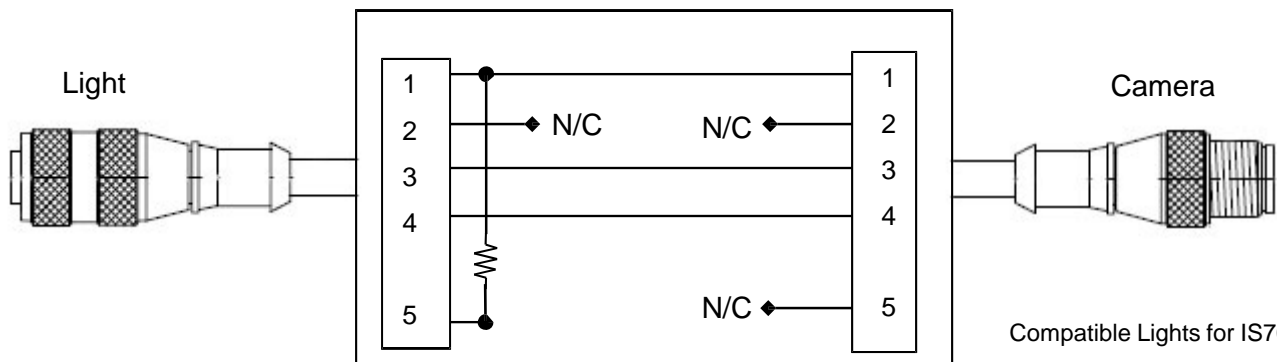


- Direct Connection to IS7000 Camera
- Industry Standard M12 Connection
- Power, Ground and Strobe pass thru
- Compatible with CTL Light Series

product specifications

Conductors	5x22 AWG
Temperature Range	-40°C to 105°C
Protection Class	NEMA 1,3,4,6P and IEC IP68, IP69K
Cable Jacket Color	Gray

CAD image



Compatible Lights for IS7000
 S30 & SA30 PROX Series
 S75 Brick Series
 R80 & R130 Series
 L300 Series

Part Number	Length
5PM12-J300-CTL	0.3 meter
5PM12-J2000-CTL	2 meter
Additional lengths available upon request	