



## product features



- Direct Connection to Dalsa BOA Camera
- Industry Standard M12 Connection
- Power, Ground and Strobe Pass Through
- Compatible with Smart Vision Lights - CTL Light Series

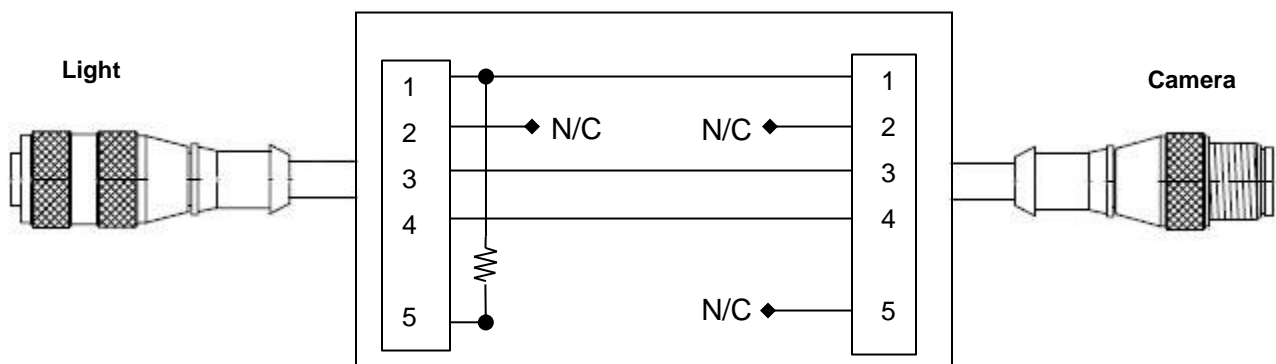


## product specifications

|                    |                                   |
|--------------------|-----------------------------------|
| Conductors         | 5x22 AWG                          |
| Temperature Range  | -40°C to 105°C                    |
| Protection Class   | NEMA 1,3,4,6P and IEC IP68, IP69K |
| Cable Jacket Color | Grey                              |



## CAD image



| Part Number     | Length    |
|-----------------|-----------|
| 5PM12-J300-CTL  | 0.3 meter |
| 5PM12-J1000-CTL | 1 meter   |
| 5PM12-J2000-CTL | 2 meter   |

\*Additional lengths available upon request.