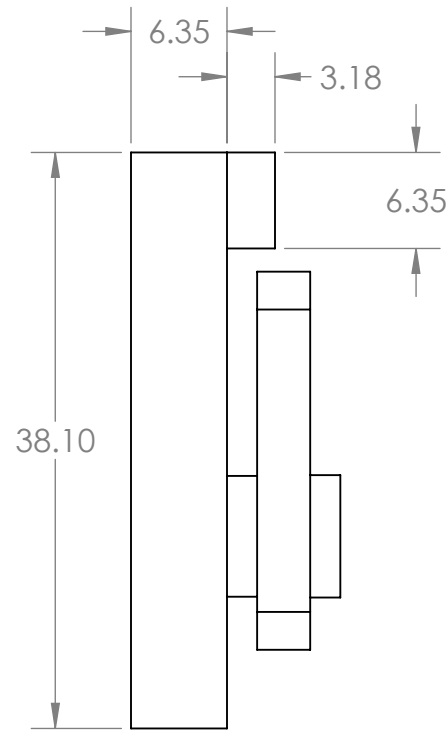
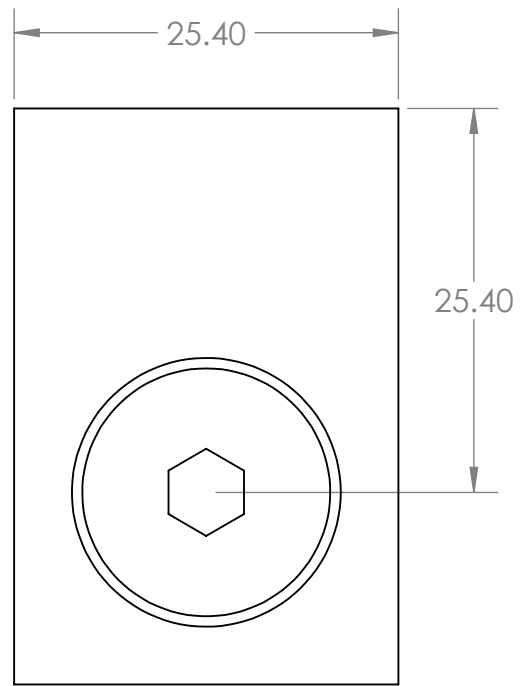
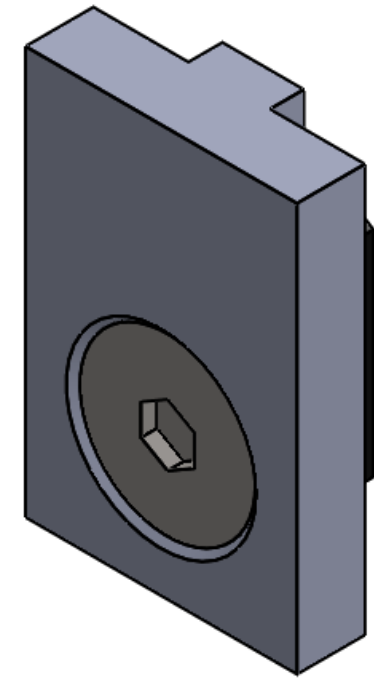
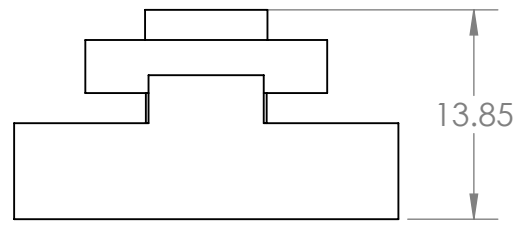



4

3

2

1



UNLESS OTHERWISE SPECIFIED:		NAME	DATE	 TITLE: SmartVisionLights.com
DIMENSIONS ARE IN MM		DRAWN	ASU 3/18/2016	
TOLERANCES:		CHECKED	MP 3/18/2016	
FRACTIONAL ±		ENG APPR.	MP 3/18/2016	
ANGULAR: MACH ± BEND ±		MFG APPR.	MP 3/18/2016	
TWO PLACE DECIMAL ±		Q.A.		SIZE DWG. NO. REV B TSLOT300-ENDSTOP 1
THREE PLACE DECIMAL ±		COMMENTS:		
INTERPRET GEOMETRIC TOLERANCING PER:				
MATERIAL		UNITS ARE IN MILLIMETERS		SCALE: 2:1 WEIGHT:
FINISH				SHEET 1 OF 1
DO NOT SCALE DRAWING				

PROPRIETARY AND CONFIDENTIAL
 THE INFORMATION CONTAINED IN THIS DRAWING IS THE SOLE PROPERTY OF SmartVisionLights. ANY REPRODUCTION IN PART OR AS A WHOLE WITHOUT THE WRITTEN PERMISSION OF SmartVisionLights IS PROHIBITED.

B

B

A

A

4

3

2

1