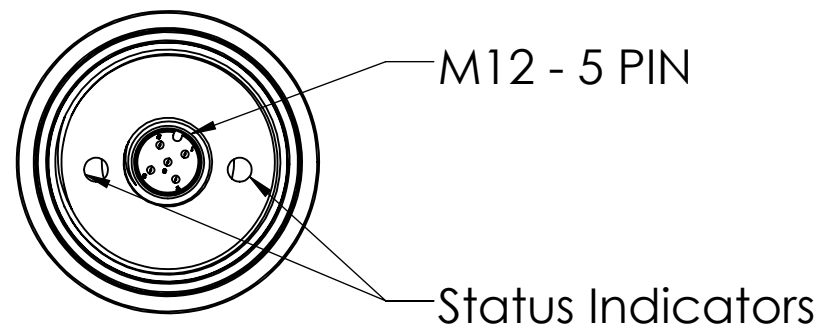
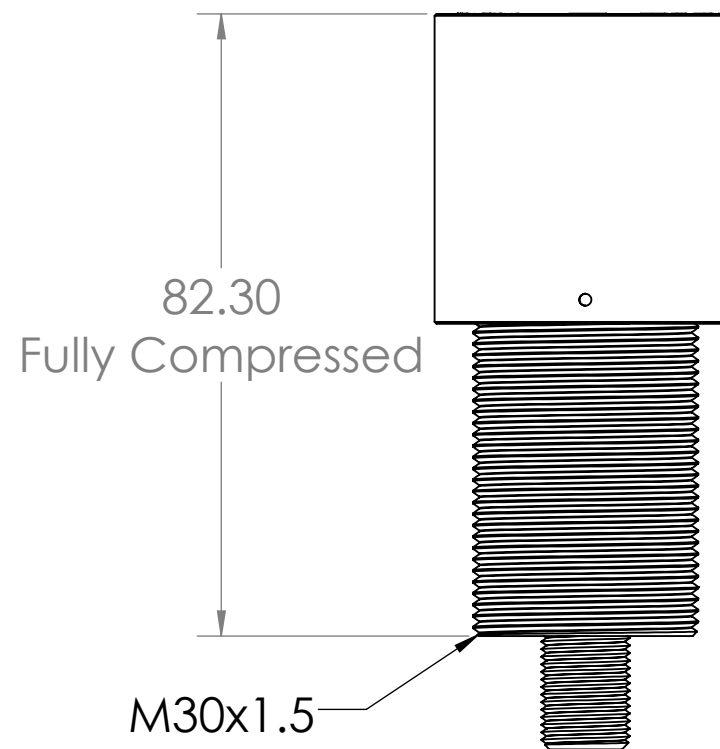
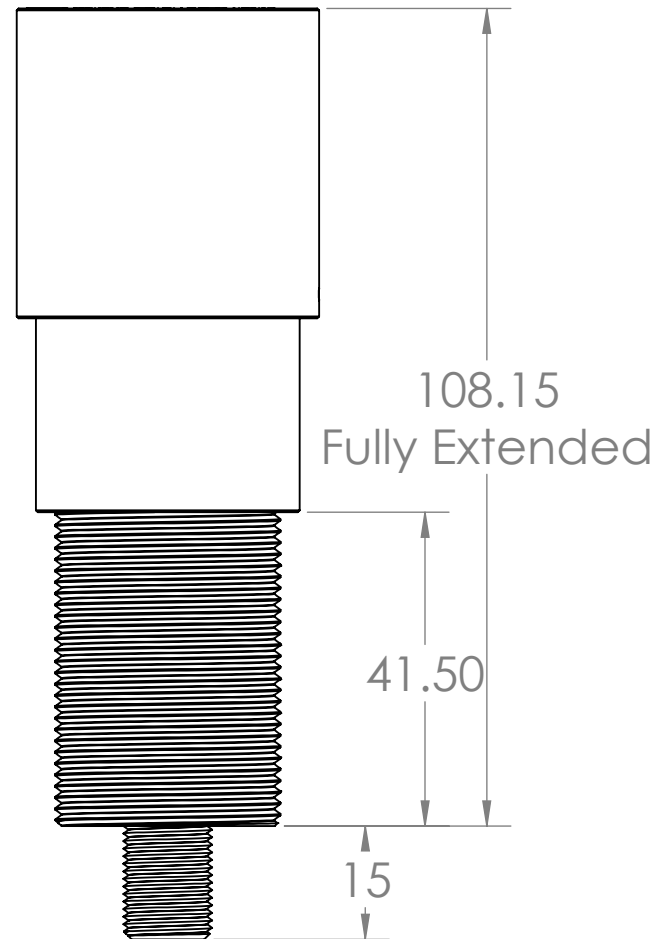
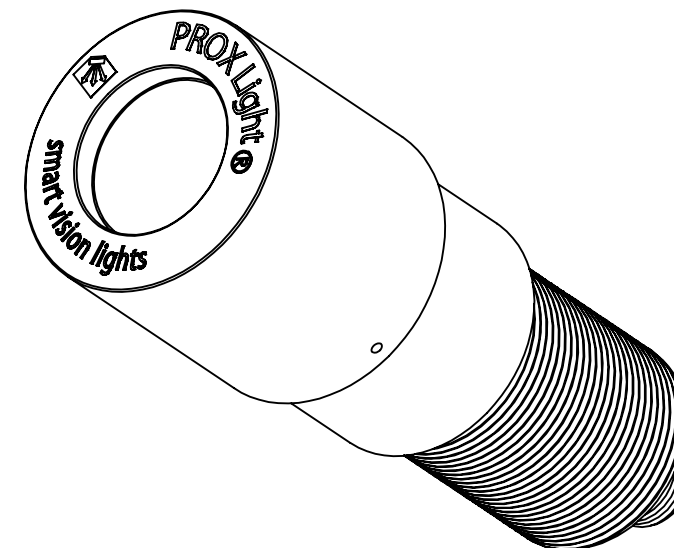
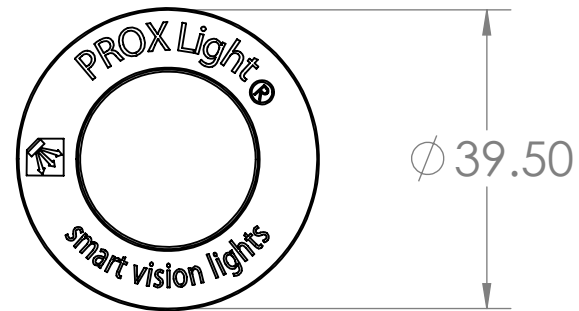


4

3

2

1



UNLESS OTHERWISE SPECIFIED:		NAME	DATE	
DIMENSIONS ARE IN MM TOLERANCES: FRACTIONAL ± ANGULAR: MACH ±.25 BEND ±3 TWO PLACE DECIMAL ±.50 THREE PLACE DECIMAL ±.05		DRAWN	ASU 5/18/2015	
PROPRIETARY AND CONFIDENTIAL THE INFORMATION CONTAINED IN THIS DRAWING IS THE SOLE PROPERTY OF SmartVisionLights. ANY REPRODUCTION IN PART OR AS A WHOLE WITHOUT THE WRITTEN PERMISSION OF SmartVisionLights IS PROHIBITED.		CHECKED		SmartVisionLights.com
		ENG APPR.		
		MFG APPR.		
INTERPRET GEOMETRIC TOLERANCING PER:		Q.A.		SIZE DWG. NO. REV B (OD)SXA30 PROX 1
MATERIAL		COMMENTS:		
FINISH		UNITS ARE IN MILLIMETERS		SCALE: 1:1 WEIGHT: SHEET 1 OF 1
DO NOT SCALE DRAWING				

4

3

2

1

B

B

A

A