

4

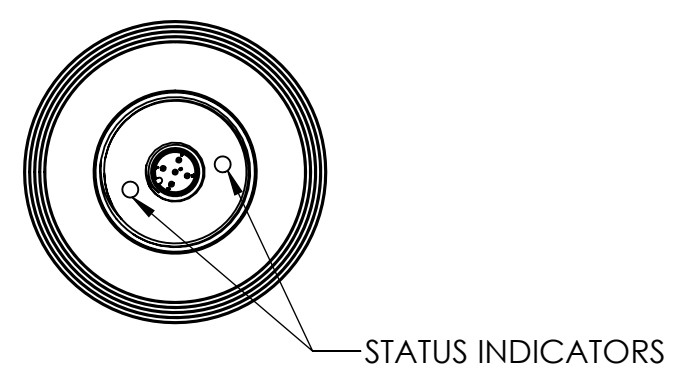
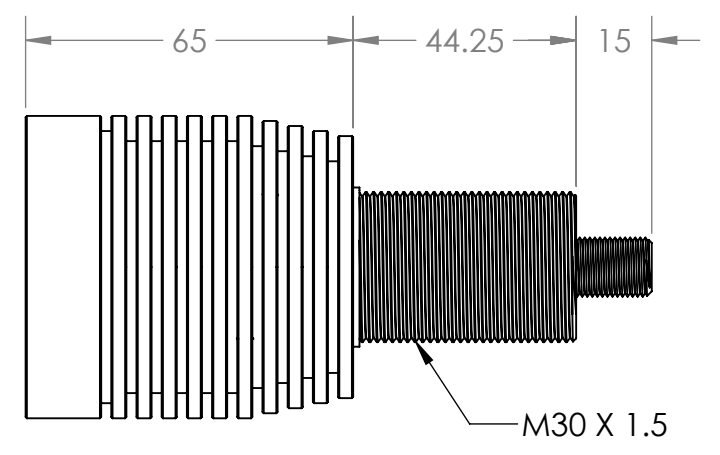
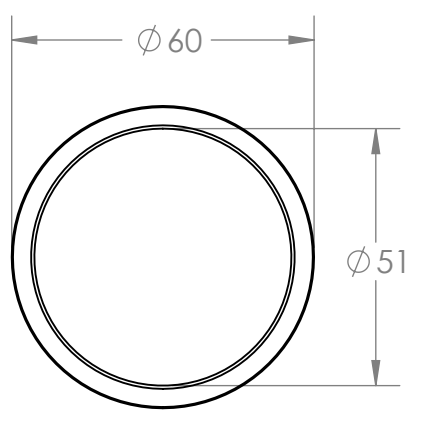
3

2

1

B

B



A

A

**PROPRIETARY AND CONFIDENTIAL**  
 THE INFORMATION CONTAINED IN THIS DRAWING IS THE SOLE PROPERTY OF SmartVisionLights. ANY REPRODUCTION IN PART OR AS A WHOLE WITHOUT THE WRITTEN PERMISSION OF SmartVisionLights IS PROHIBITED.

UNLESS OTHERWISE SPECIFIED:		NAME	DATE
DIMENSIONS ARE IN MM		DRAWN	NC 1/19/2018
TOLERANCES:		CHECKED	MP 1/19/2018
FRACTIONAL $\pm$		ENG APPR.	MP 1/19/2018
ANGULAR: BEND $\pm$		MFG APPR.	MP 1/19/2018
TWO PLACE DECIMAL $\pm$		Q.A.	
THREE PLACE DECIMAL $\pm$		COMMENTS:	
INTERPRET GEOMETRIC TOLERANCING PER:		UNITS ARE IN MILLIMETERS	
MATERIAL			
FINISH			
DO NOT SCALE DRAWING			

SVL PART NO.		
SX30/ODSX30-XXX-N4		
SIZE	ENG DWG NO.	REV
<b>B</b>	SX30_ODSX30	<b>1</b>
SCALE: 2:3	WEIGHT:	SHEET 1 OF 1

4

3

2

1