

4

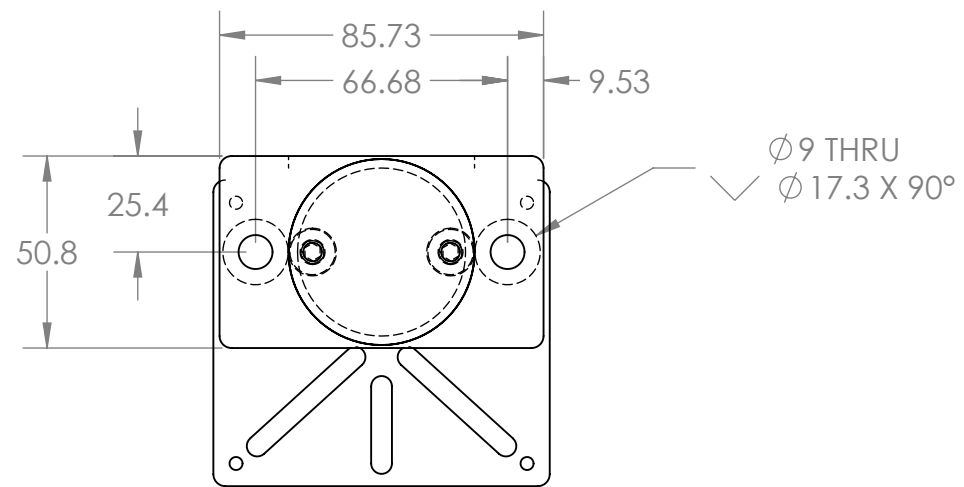
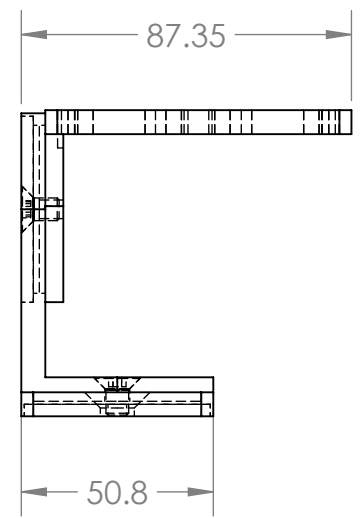
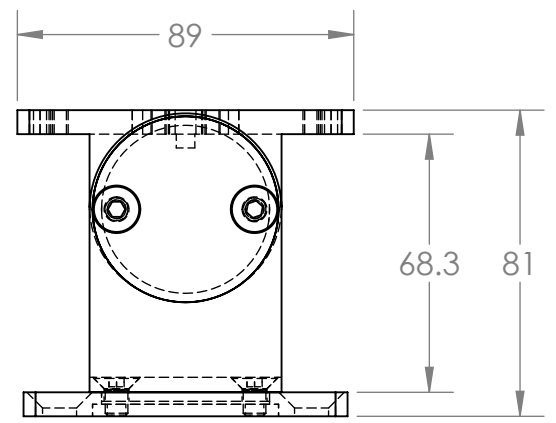
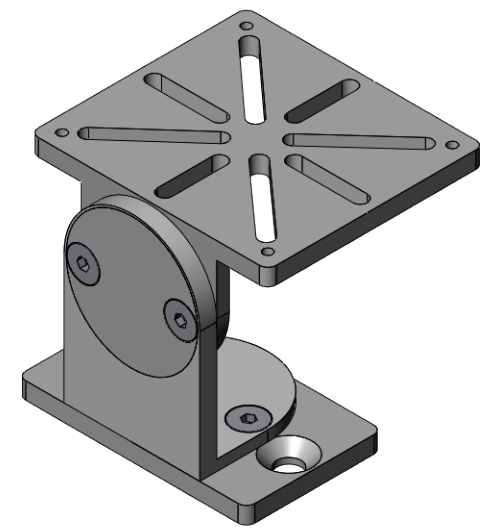
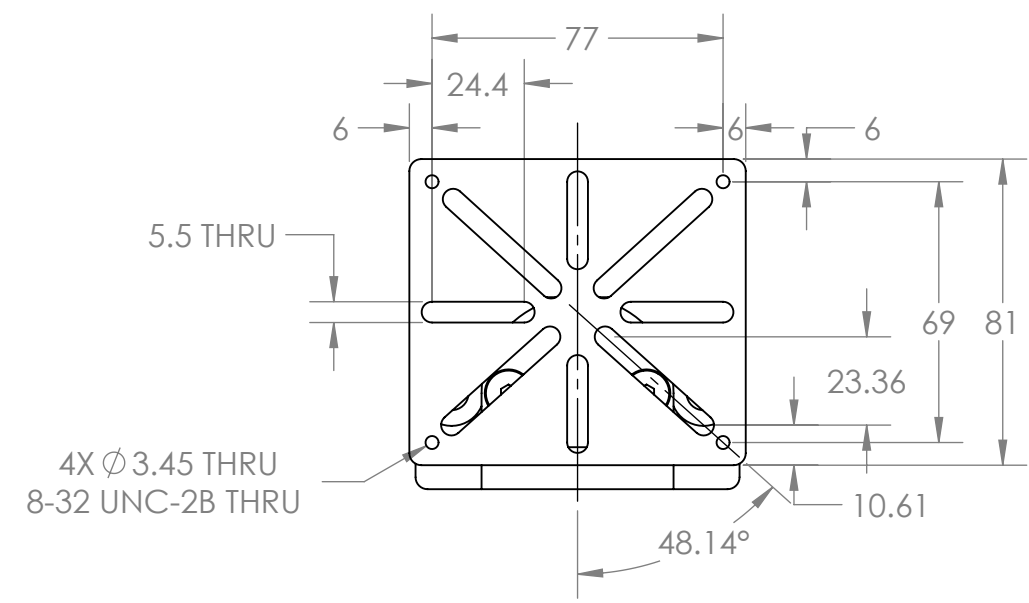
3

2

1

REVISIONS

DRAWN BY	REV.	DESCRIPTION	DATE	APPROVED
NC	4	ADDED SLOTS TO MOUNTING PLATE	5/25/2018	MP



UNLESS OTHERWISE SPECIFIED:		NAME	DATE
DIMENSIONS ARE IN MM		DRAWN	NC 6/1/2018
TOLERANCES:		CHECKED	MP 6/1/2018
FRACTIONAL ±		ENG APPR.	MP 6/1/2018
ANGULAR: BEND ± 3°		MFG APPR.	MP 6/1/2018
TWO PLACE DECIMAL ± .13		Q.A.	
THREE PLACE DECIMAL ± .127		COMMENTS:	
INTERPRET GEOMETRIC TOLERANCING PER:		UNITS ARE IN MILLIMETERS	
MATERIAL 6061-T6		SCALE: 1:2 WEIGHT:	
FINISH BRUSHED		SHEET 1 OF 1	
DO NOT SCALE DRAWING			

PROPRIETARY AND CONFIDENTIAL
 THE INFORMATION CONTAINED IN THIS DRAWING IS THE SOLE PROPERTY OF SmartVisionLights. ANY REPRODUCTION IN PART OR AS A WHOLE WITHOUT THE WRITTEN PERMISSION OF SmartVisionLights IS PROHIBITED.

smart vision lights

SVL PART NO. **PB75-M5**

SIZE **B** ENG DWG NO. **PB75-M5_R4** REV **4**

4

3

2

1

B

B

A

A