

4

3

2

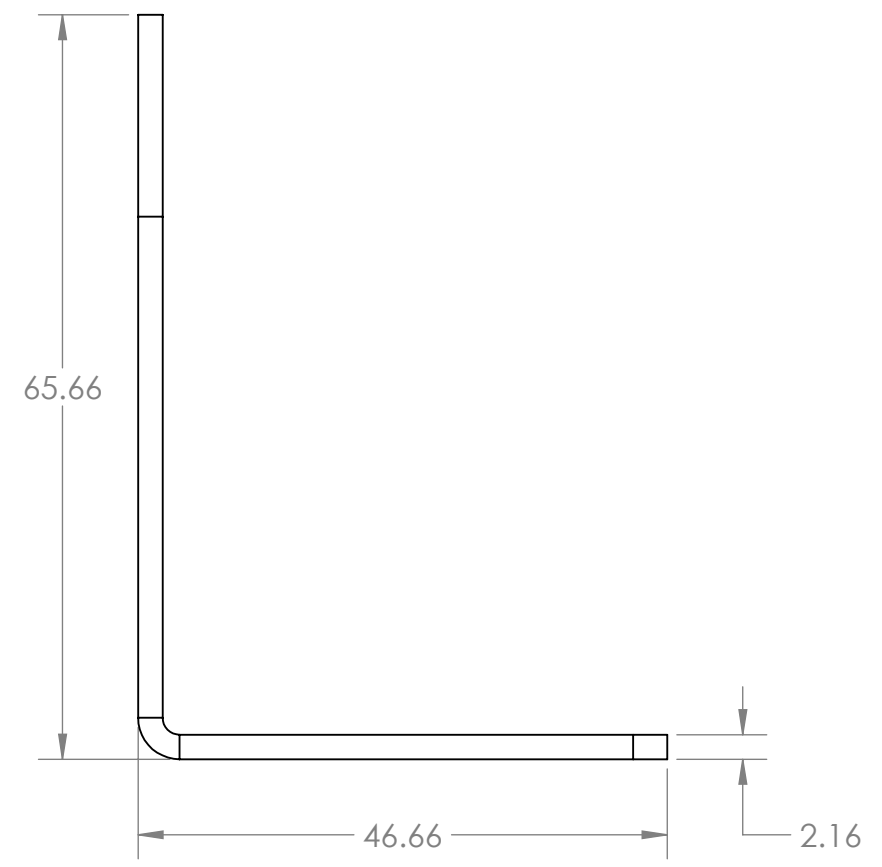
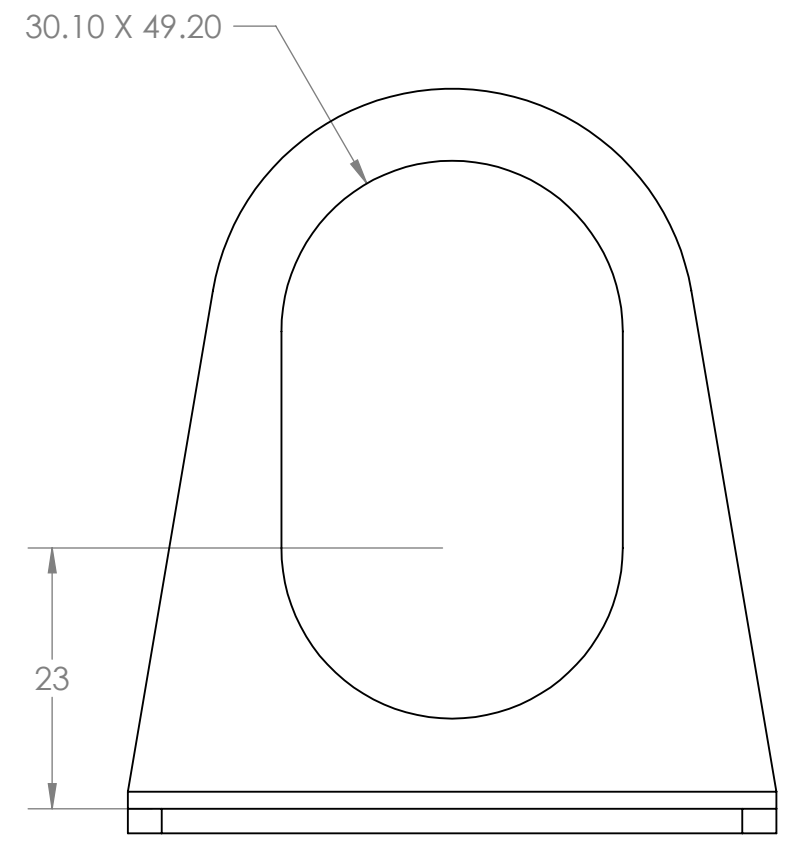
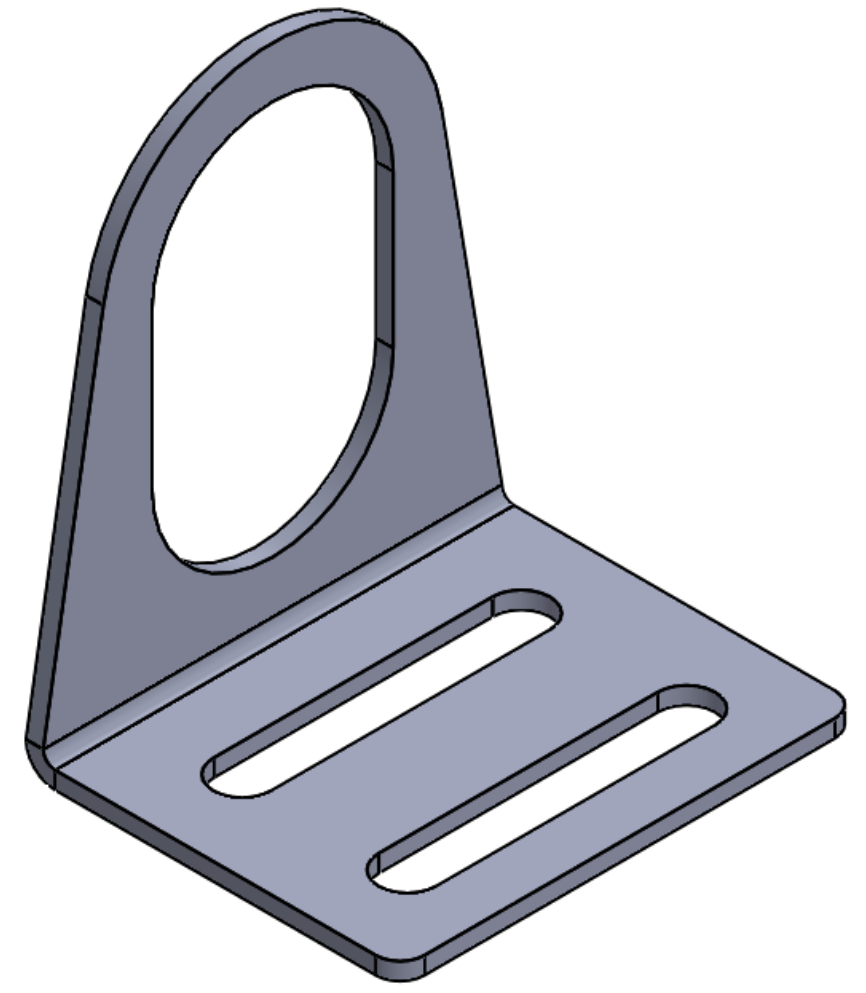
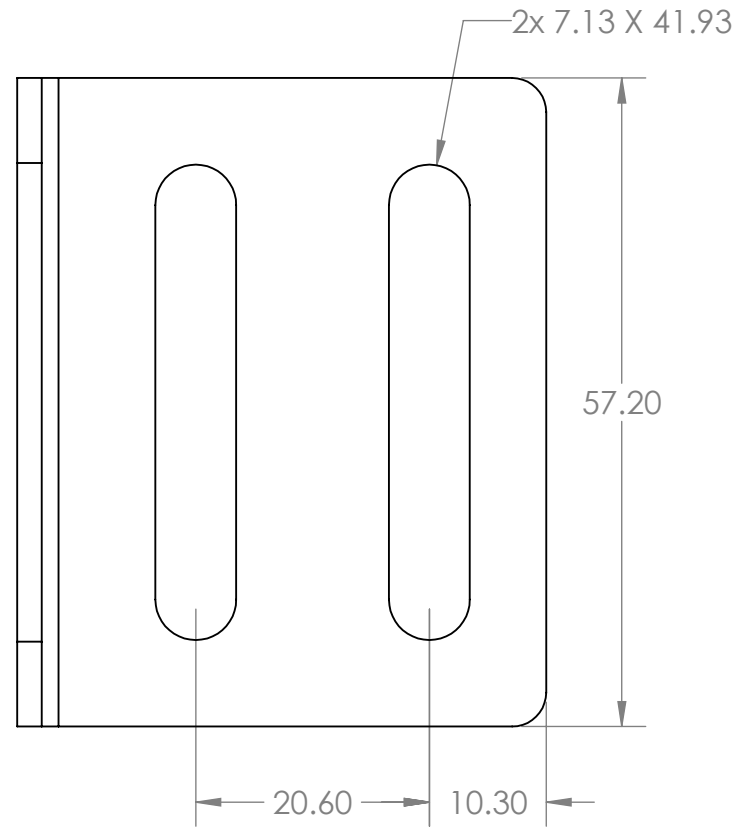
1

B

B

A

A



**PROPRIETARY AND CONFIDENTIAL**  
 THE INFORMATION CONTAINED IN THIS DRAWING IS THE SOLE PROPERTY OF SmartVisionLights. ANY REPRODUCTION IN PART OR AS A WHOLE WITHOUT THE WRITTEN PERMISSION OF SmartVisionLights IS PROHIBITED.

UNLESS OTHERWISE SPECIFIED:		NAME	DATE
DIMENSIONS ARE IN MM		DRAWN	ASU 4/8/2016
TOLERANCES:		CHECKED	MP 4/8/2016
FRACTIONAL ±		ENG APPR.	MP 4/8/2016
ANGULAR: MACH ± BEND ±		MFG APPR.	MP 4/8/2016
TWO PLACE DECIMAL ±		Q.A.	
THREE PLACE DECIMAL ±		COMMENTS:	
INTERPRET GEOMETRIC TOLERANCING PER:		UNITS ARE IN MILLIMETERS	
MATERIAL			
FINISH			
ZINC-PLATED STEEL		SCALE: 3:2	WEIGHT:
DO NOT SCALE DRAWING		SHEET 1 OF 1	

**smart vision lights**

TITLE: SmartVisionLights.com

SIZE	DWG. NO.	REV
<b>B</b>	<b>PB30-M3</b>	<b>1</b>

4

3

2

1