

4

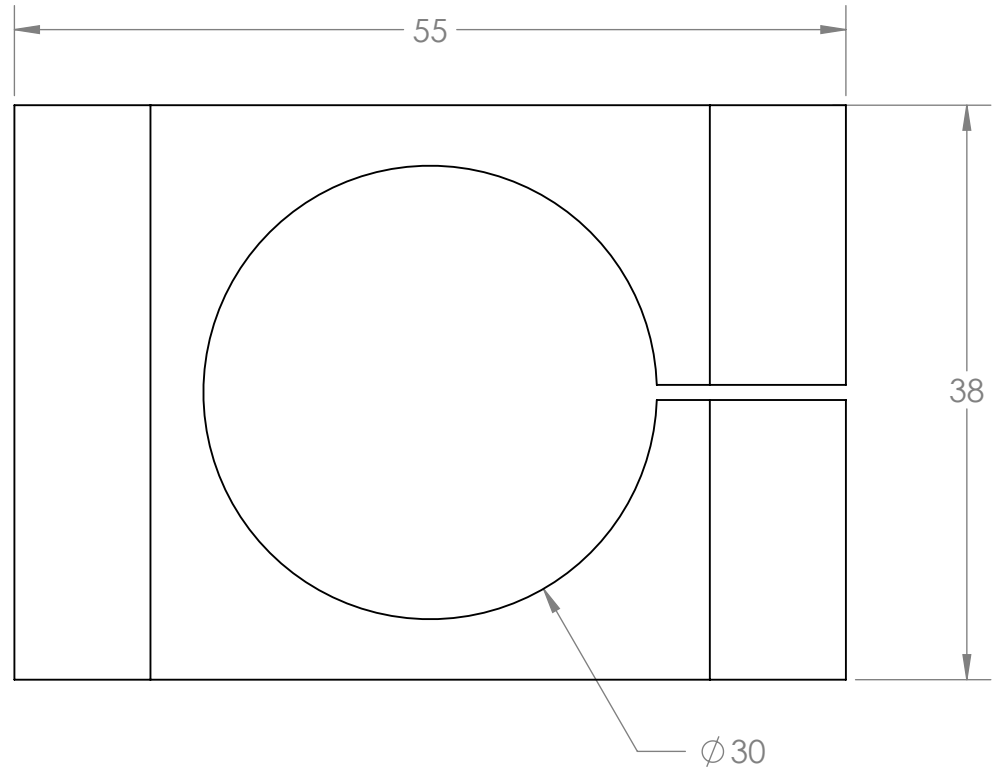
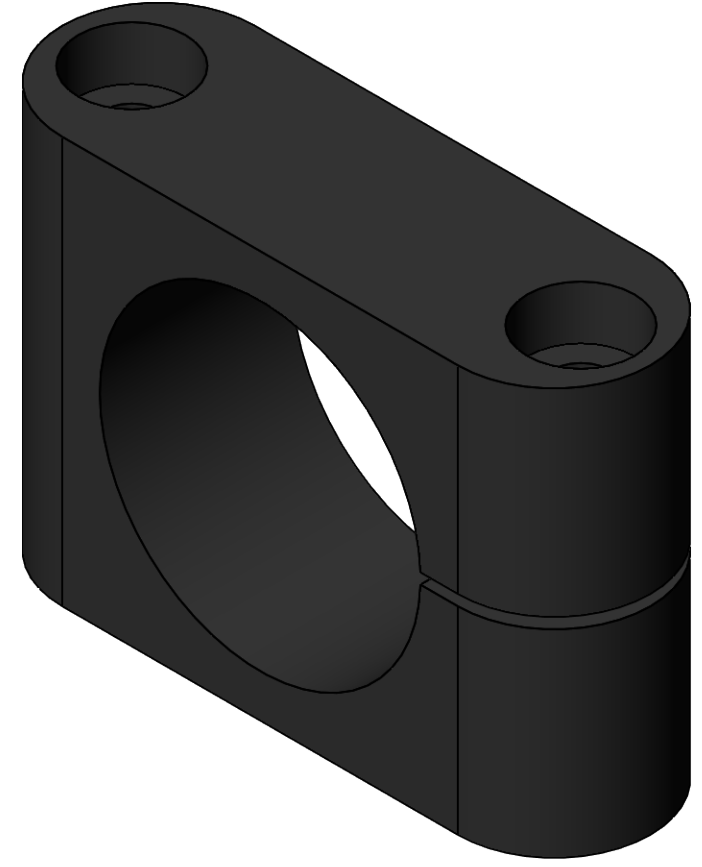
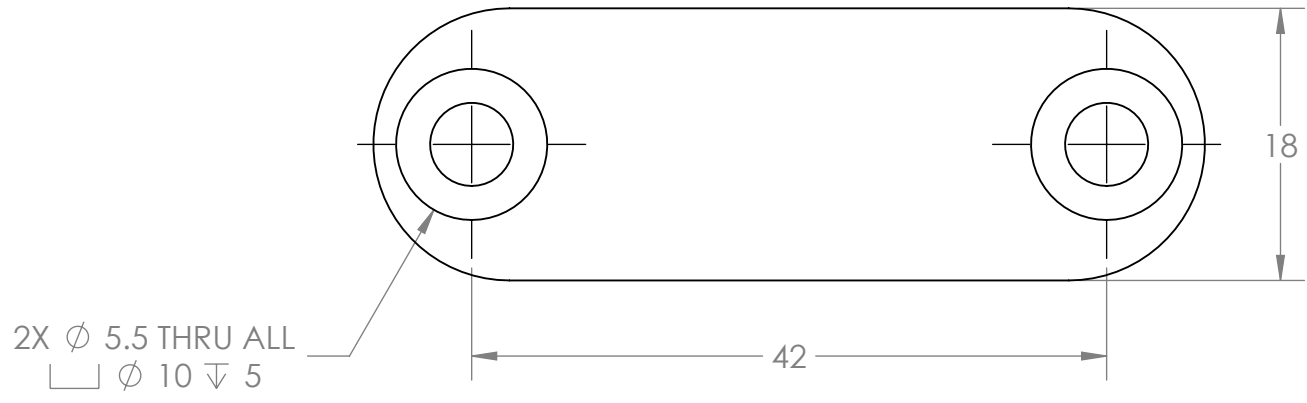
3

2

1

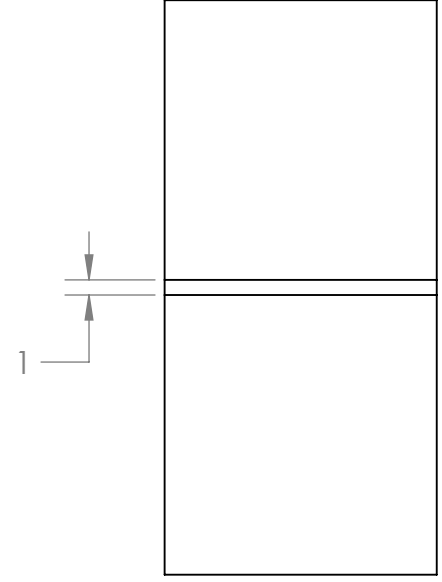
B

B



A

A



PROPRIETARY AND CONFIDENTIAL
THE INFORMATION CONTAINED IN THIS DRAWING IS THE SOLE PROPERTY OF SmartVisionLights. ANY REPRODUCTION IN PART OR AS A WHOLE WITHOUT THE WRITTEN PERMISSION OF SmartVisionLights IS PROHIBITED.

UNLESS OTHERWISE SPECIFIED:		NAME	DATE
DIMENSIONS ARE IN MM	DRAWN	NC	7/17/2018
TOLERANCES:	CHECKED	MP	7/17/2018
FRACTIONAL	ENG APPR.	MP	7/17/2018
ANGULAR: BEND	MFG APPR.	MP	7/17/2018
TWO PLACE DECIMAL	Q.A.		
THREE PLACE DECIMAL	COMMENTS:	UNITS ARE IN MILLIMETERS	
INTERPRET GEOMETRIC TOLERANCING PER:			
MATERIAL	GLASS FILLED NYLON		
FINISH			
DO NOT SCALE DRAWING			

SVL PART NO.		
PB30-M2		
SIZE	ENG DWG NO.	REV
B	PB30-M2	1
SCALE: 2:1	WEIGHT:	SHEET 1 OF 1

4

3

2

1