

4

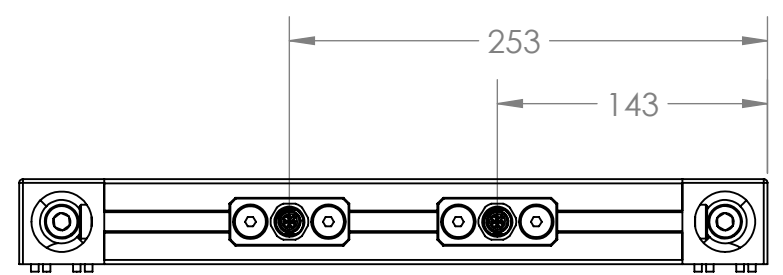
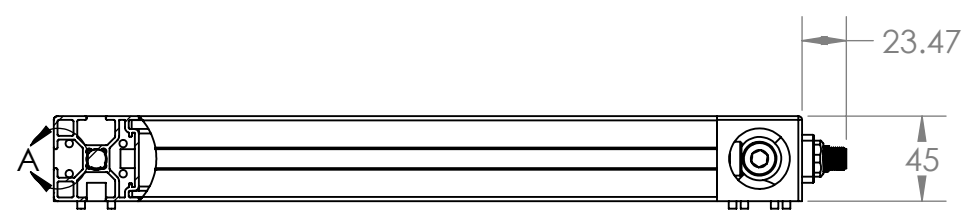
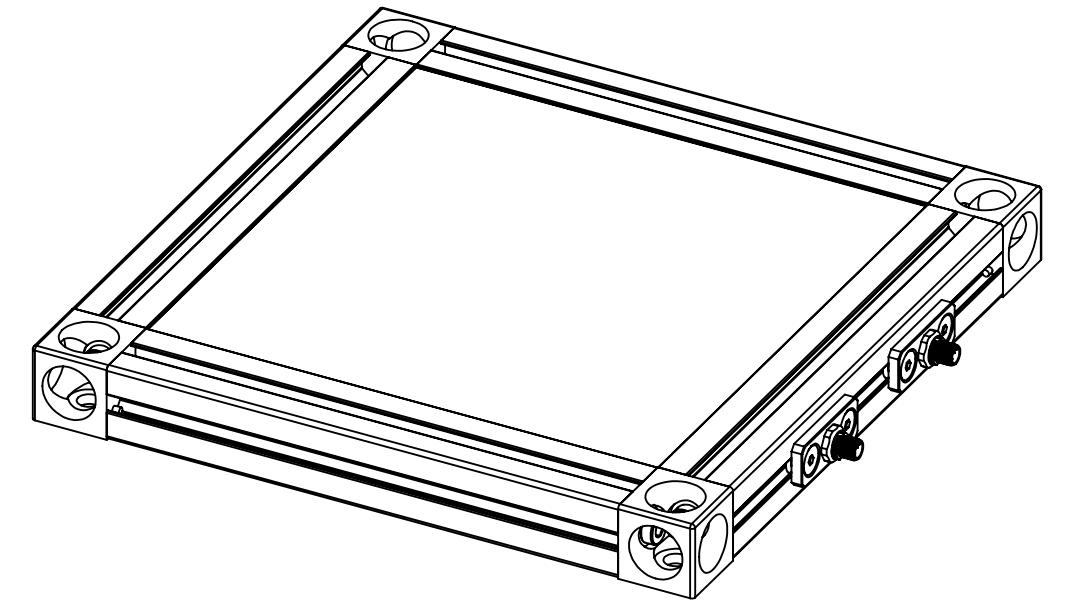
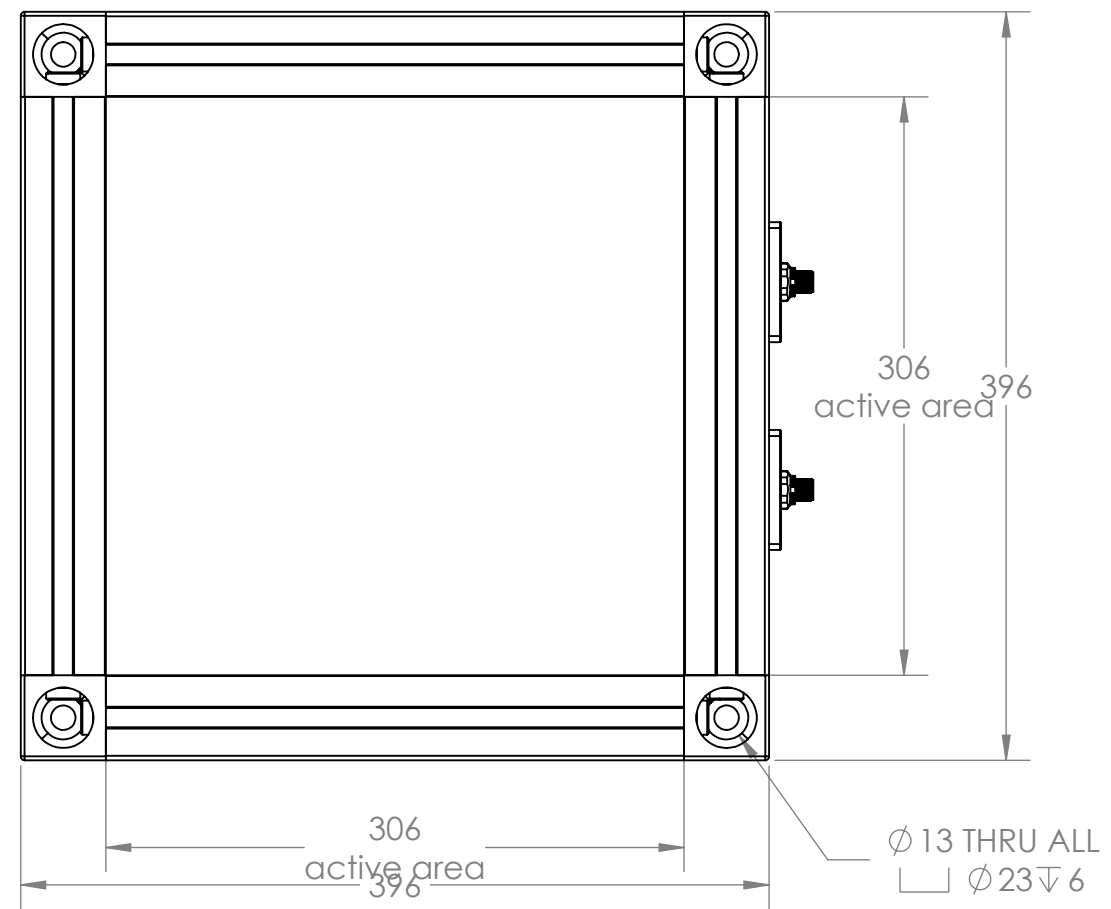
3

2

1

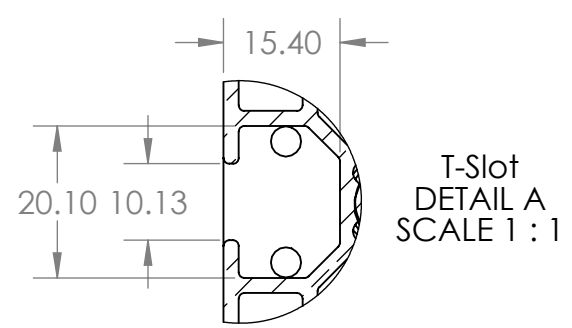
B

B



A

A



UNLESS OTHERWISE SPECIFIED:

DIMENSIONS ARE IN MM		NAME	DATE
TOLERANCES:		DRAWN	ASU 7/26/2016
FRACTIONAL ± 0.127		CHECKED	MP 7/26/2016
ANGULAR: BEND ± 3°		ENG APPR.	MP 7/26/2016
TWO PLACE DECIMAL ± 0.127		MFG APPR.	MP 7/26/2016
THREE PLACE DECIMAL ± 0.127		Q.A.	
INTERPRET GEOMETRIC TOLERANCING PER:		COMMENTS:	
MATERIAL		UNITS ARE IN MILLIMETERS	
FINISH			
DO NOT SCALE DRAWING			

**PROPRIETARY AND CONFIDENTIAL**  
THE INFORMATION CONTAINED IN THIS DRAWING IS THE SOLE PROPERTY OF SmartVisionLights. ANY REPRODUCTION IN PART OR AS A WHOLE WITHOUT THE WRITTEN PERMISSION OF SmartVisionLights IS PROHIBITED.

**smart vision lights**

TITLE:  
SmartVisionLights.com

SIZE	DWG. NO.	REV
<b>B</b>	ODAL-300x300	1
SCALE: 1:4	WEIGHT:	SHEET 1 OF 1

4

3

2

1