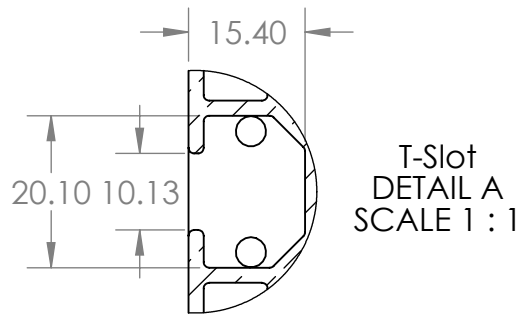
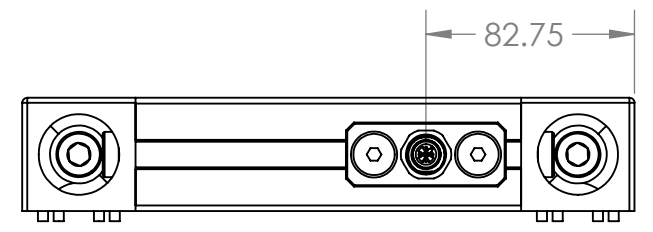
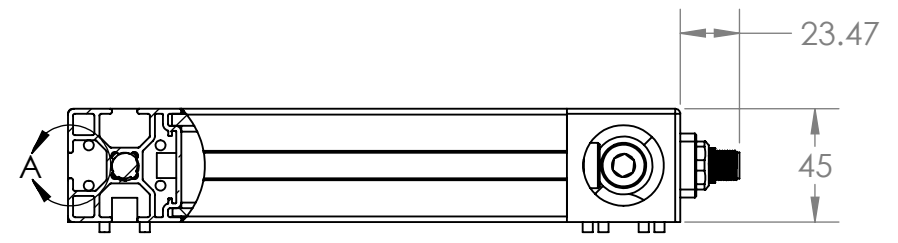
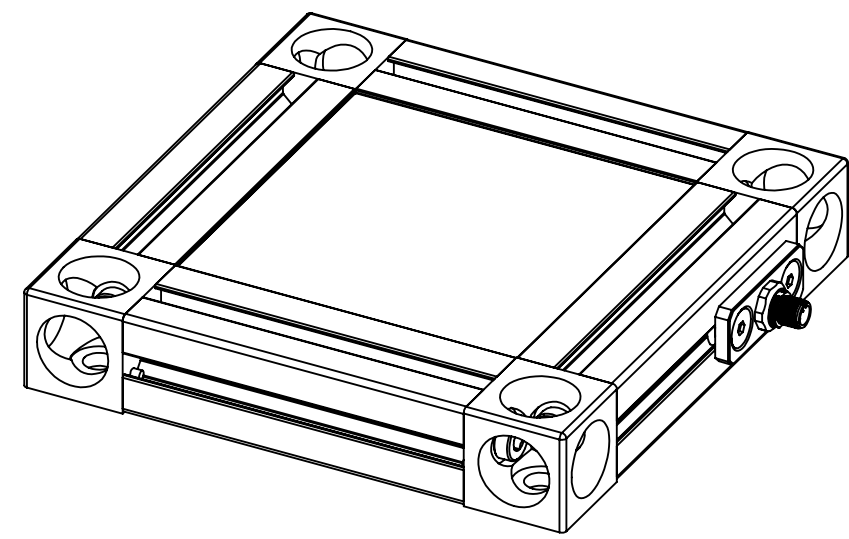
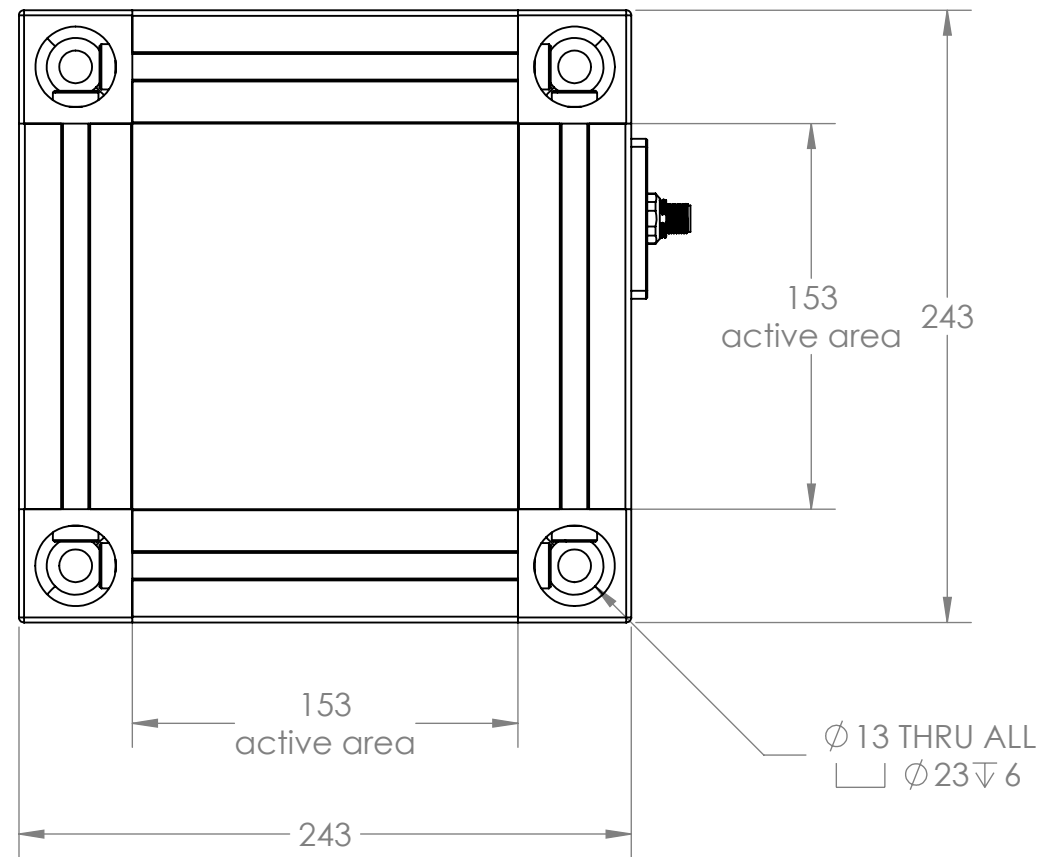


4

3

2

1



UNLESS OTHERWISE SPECIFIED:

DIMENSIONS ARE IN MM		NAME	DATE
TOLERANCES:		DRAWN	ASU 7/26/2016
FRACTIONAL ± 0.127		CHECKED	MP 7/26/2016
ANGULAR: BEND ± 3°		ENG APPR.	MP 7/26/2016
TWO PLACE DECIMAL ± 0.127		MFG APPR.	MP 7/26/2016
THREE PLACE DECIMAL ± 0.127		Q.A.	
INTERPRET GEOMETRIC TOLERANCING PER:		COMMENTS:	
MATERIAL			
FINISH			
DO NOT SCALE DRAWING			

PROPRIETARY AND CONFIDENTIAL
THE INFORMATION CONTAINED IN THIS DRAWING IS THE SOLE PROPERTY OF SmartVisionLights. ANY REPRODUCTION IN PART OR AS A WHOLE WITHOUT THE WRITTEN PERMISSION OF SmartVisionLights IS PROHIBITED.

UNITS ARE IN MILLIMETERS



TITLE:
SmartVisionLights.com

SIZE	DWG. NO.	REV
B	ODAL-150x150	1
SCALE: 1:3	WEIGHT:	SHEET 1 OF 1

4

3

2

1

B

B

A

A