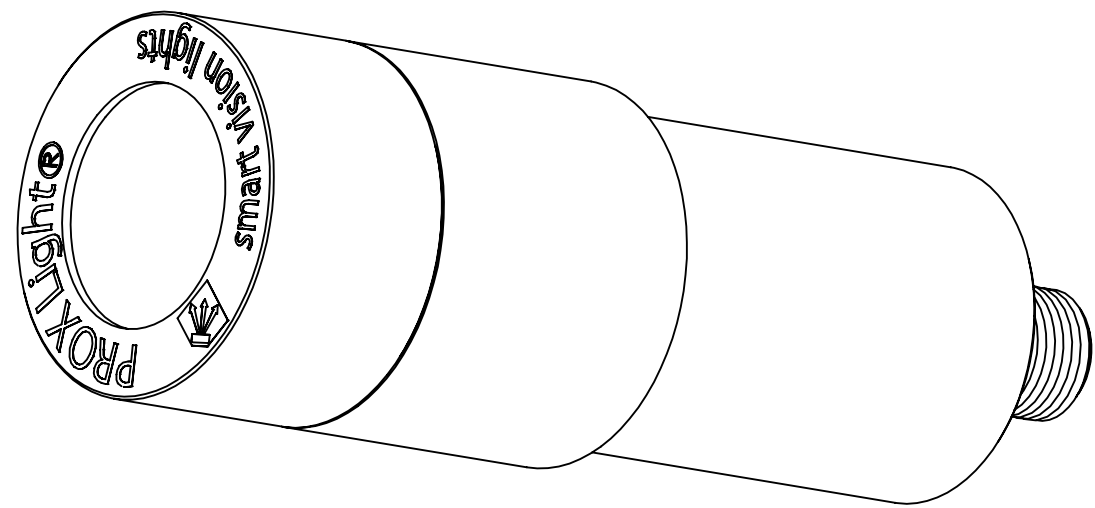
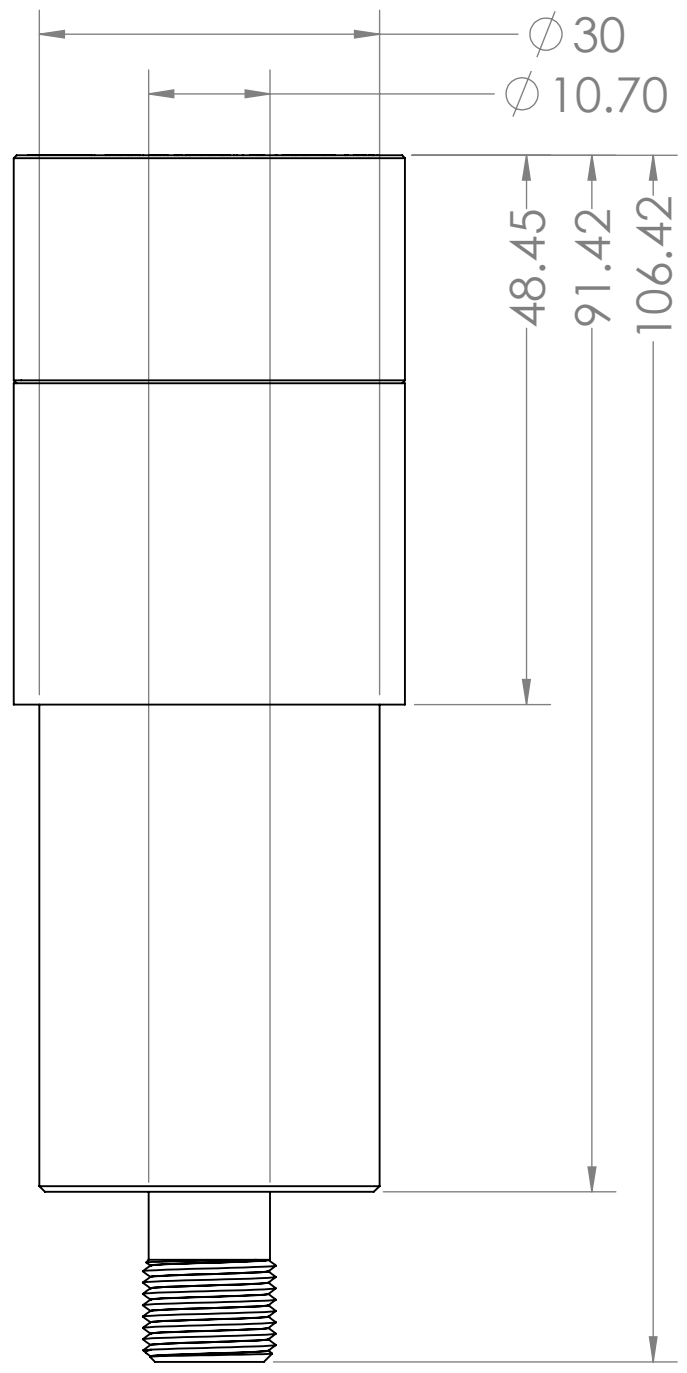
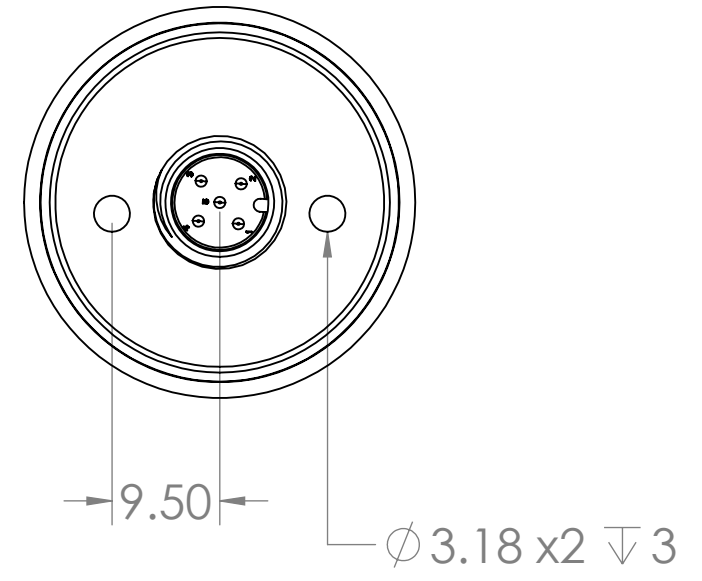
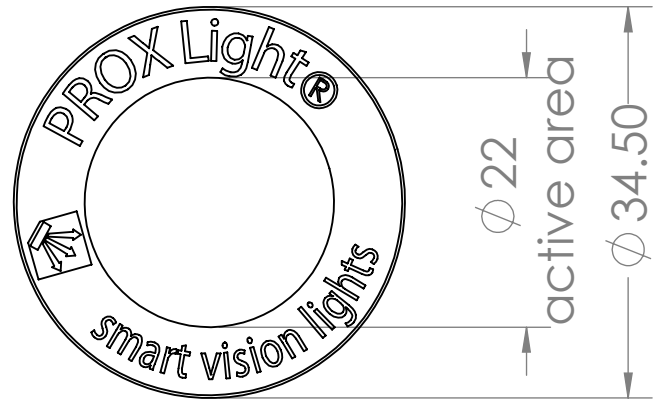


4

3

2

1



B

B

A

A

4

3

2

1

UNLESS OTHERWISE SPECIFIED:	NAME	DATE
DIMENSIONS ARE IN MM	DRAWN ASU	10/16/15
TOLERANCES:	CHECKED MP	10/16/15
FRACTIONAL \pm	ENG APPR. MP	10/16/15
ANGULAR: MACH \pm BEND \pm	MFG APPR. MP	10/16/15
TWO PLACE DECIMAL \pm	Q.A.	
THREE PLACE DECIMAL \pm	COMMENTS:	
INTERPRET GEOMETRIC TOLERANCING PER:	UNITS ARE IN MILLIMETERS	
MATERIAL STAINLESS STEEL 316	SCALE: 3:2 WEIGHT: SHEET 1 OF 1	
FINISH	DO NOT SCALE DRAWING	

PROPRIETARY AND CONFIDENTIAL
 THE INFORMATION CONTAINED IN THIS DRAWING IS THE SOLE PROPERTY OF SmartVisionLights. ANY REPRODUCTION IN PART OR AS A WHOLE WITHOUT THE WRITTEN PERMISSION OF SmartVisionLights IS PROHIBITED.



TITLE:
 SmartVisionLights.com

SIZE DWG. NO. REV
B (OD)SXW30 1