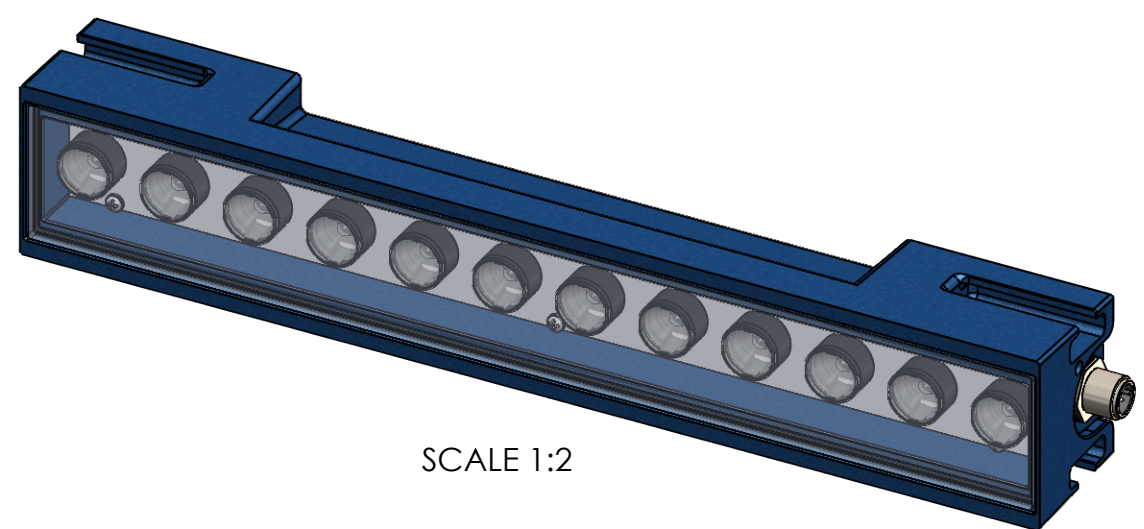
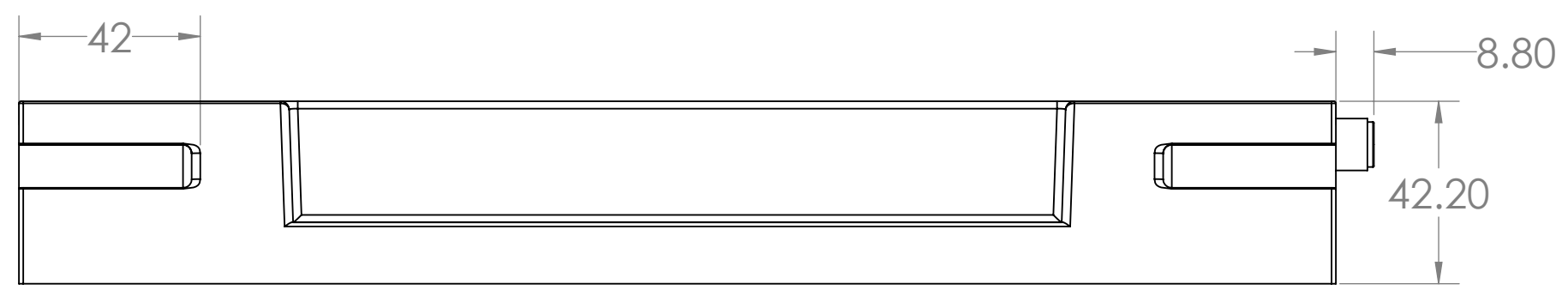


4

3

2

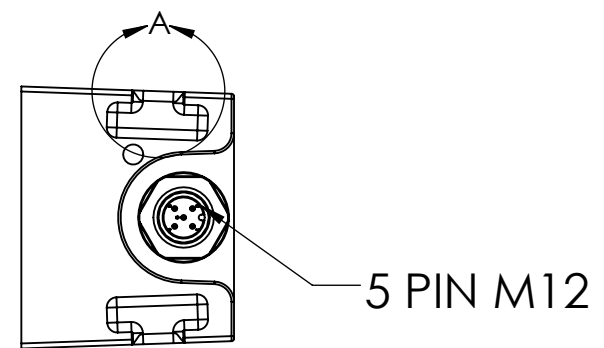
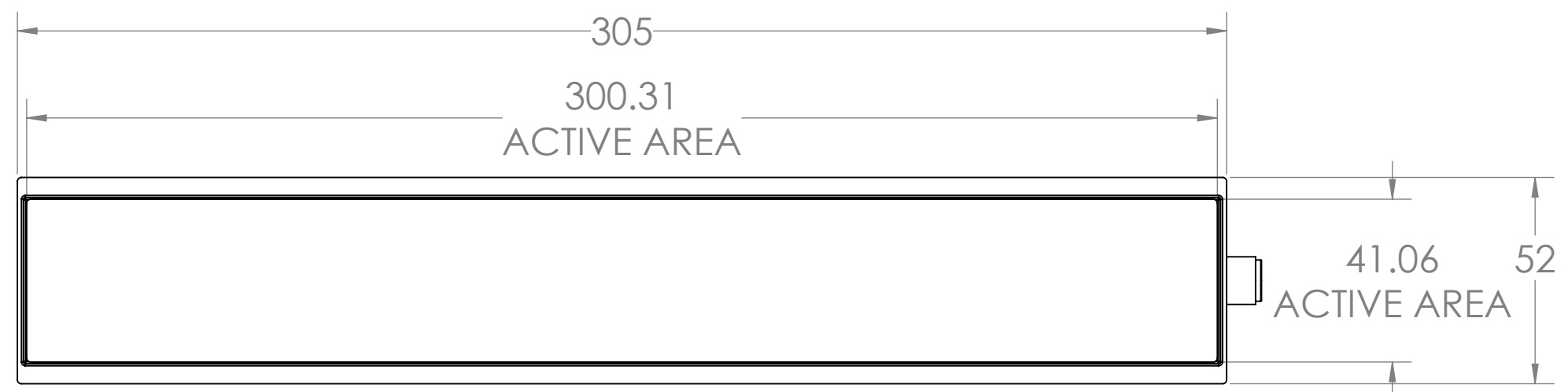
1



SCALE 1:2

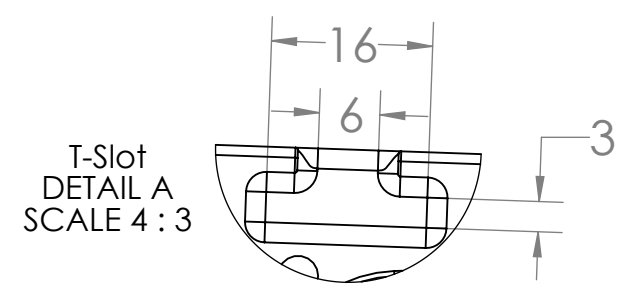
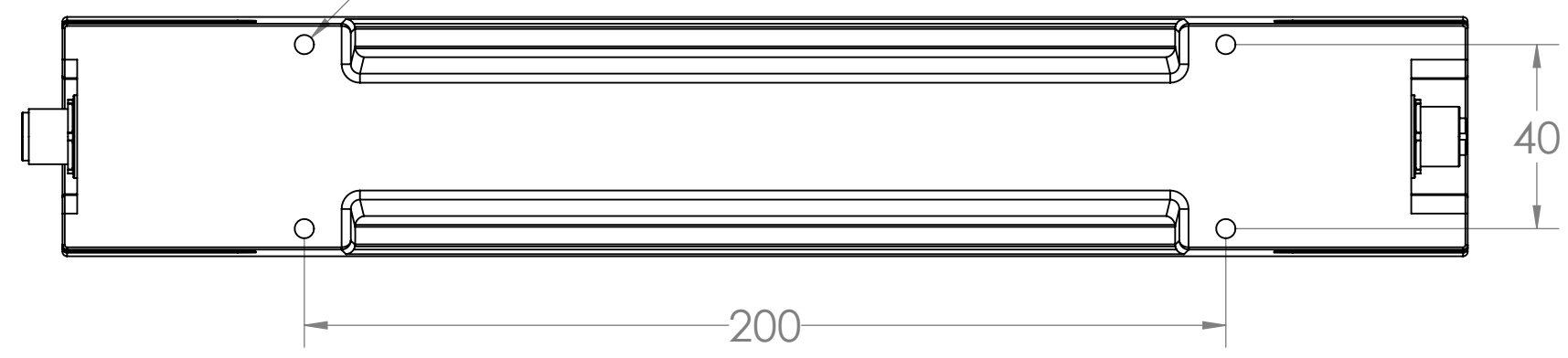
B

B



5 PIN M12

4X ϕ 4.20 ∇ 7
M5X0.8 - 6H ∇ 5



T-Slot
DETAIL A
SCALE 4:3

A

A

| | | | |
|--------------------------------------|--|--------------------------|--------------|
| UNLESS OTHERWISE SPECIFIED: | | NAME | DATE |
| DIMENSIONS ARE IN MM | | DRAWN | NC 3/27/2017 |
| TOLERANCES: | | CHECKED | MP 3/27/2017 |
| FRACTIONAL \pm | | ENG APPR. | MP 3/27/2017 |
| ANGULAR: MACH \pm BEND \pm | | MFG APPR. | MP 3/27/2017 |
| TWO PLACE DECIMAL \pm | | Q.A. | |
| THREE PLACE DECIMAL \pm | | COMMENTS: | |
| INTERPRET GEOMETRIC TOLERANCING PER: | | UNITS ARE IN MILLIMETERS | |
| MATERIAL | | | |
| FINISH | | | |
| DO NOT SCALE DRAWING | | | |

PROPRIETARY AND CONFIDENTIAL
THE INFORMATION CONTAINED IN THIS DRAWING IS THE SOLE PROPERTY OF SmartVisionLights. ANY REPRODUCTION IN PART OR AS A WHOLE WITHOUT THE WRITTEN PERMISSION OF SmartVisionLights IS PROHIBITED.



TITLE:
SmartVisionLights.com

SIZE **B** DWG. NO. **LXE300** REV

SCALE: 2:3 WEIGHT: SHEET 1 OF 1

4

3

2

1