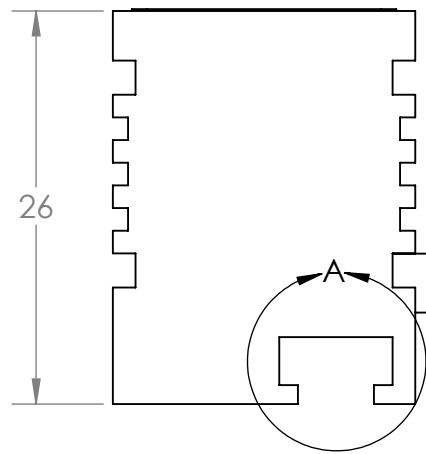
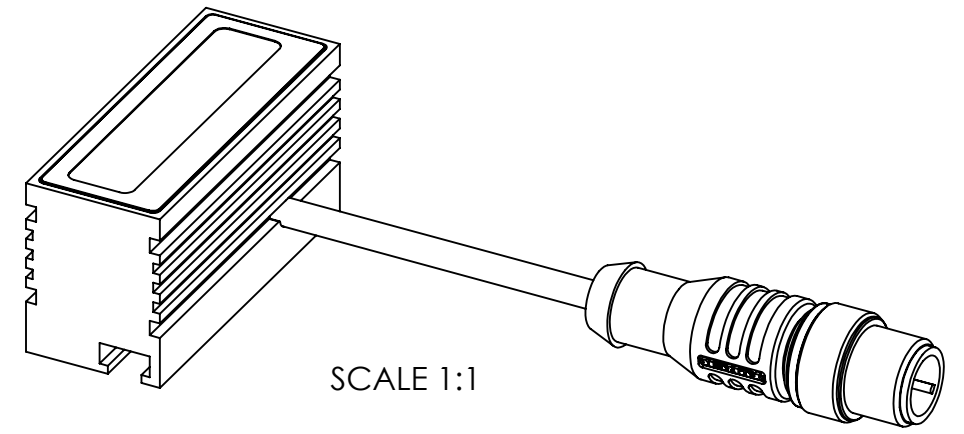
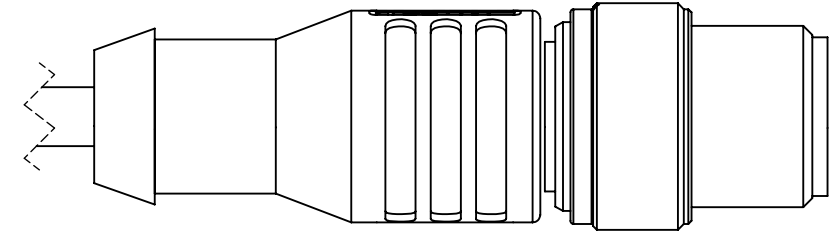
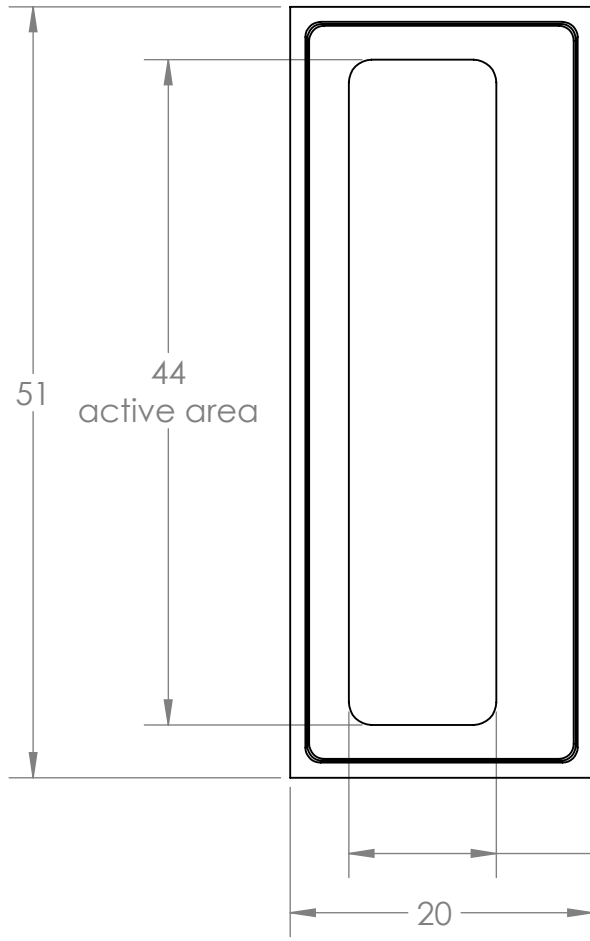


4

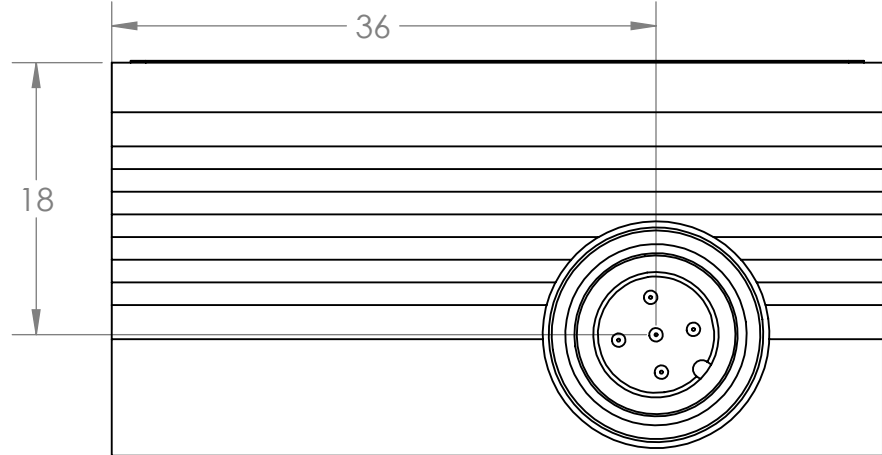
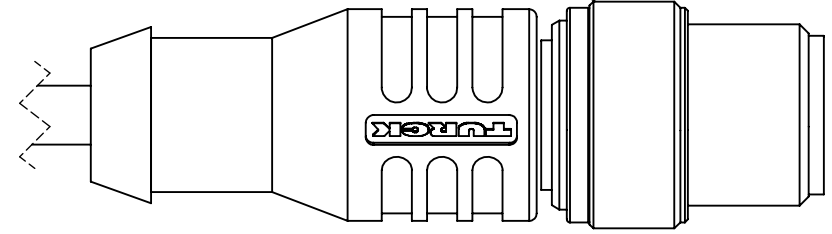
3

2

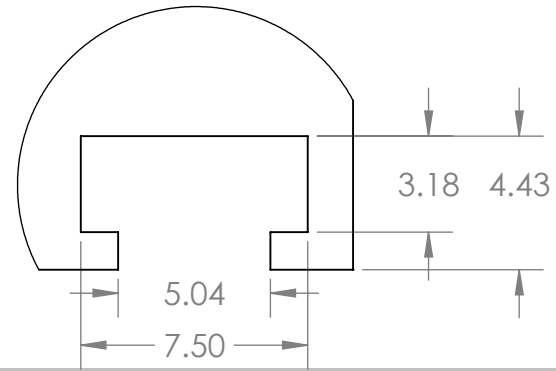
1



MALE 5 PIN M12 PIGTAIL  
APPROX. 6 INCHES



T-Slot  
DETAIL A  
SCALE 4 : 1



UNLESS OTHERWISE SPECIFIED:

DIMENSIONS ARE IN MM	NAME	DATE
TOLERANCES:	DRAWN	ASU 8/15/2016
FRACTIONAL ± 0.1	CHECKED	MP 8/15/2016
ANGULAR: MACH ± 0.1 BEND ± 0.1	ENG APPR.	MP 8/15/2016
TWO PLACE DECIMAL ± 0.127	MFG APPR.	MP 8/15/2016
THREE PLACE DECIMAL ± 0.127	Q.A.	

**smart vision lights**

TITLE:  
**SmartVisionLights.com**

**PROPRIETARY AND CONFIDENTIAL**  
THE INFORMATION CONTAINED IN THIS DRAWING IS THE SOLE PROPERTY OF SmartVisionLights. ANY REPRODUCTION IN PART OR AS A WHOLE WITHOUT THE WRITTEN PERMISSION OF SmartVisionLights IS PROHIBITED.

INTERPRET GEOMETRIC TOLERANCING PER:	COMMENTS: <b>UNITS ARE IN MILLIMETERS</b>
MATERIAL	
FINISH	

DO NOT SCALE DRAWING

SIZE	DWG. NO.	REV
<b>B</b>	<b>LM-45</b>	<b>2</b>
SCALE: 2:1	WEIGHT:	SHEET 1 OF 1

4

3

2

1

B

B

A

A