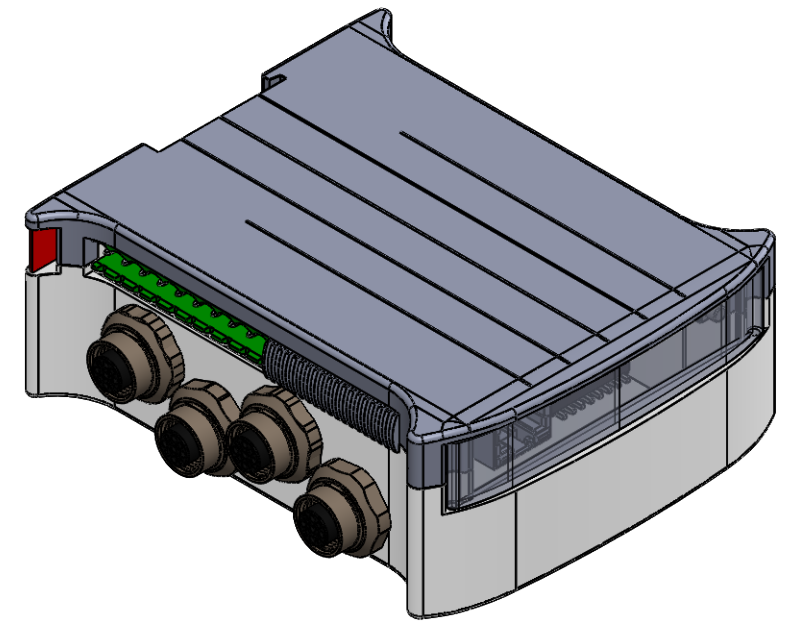
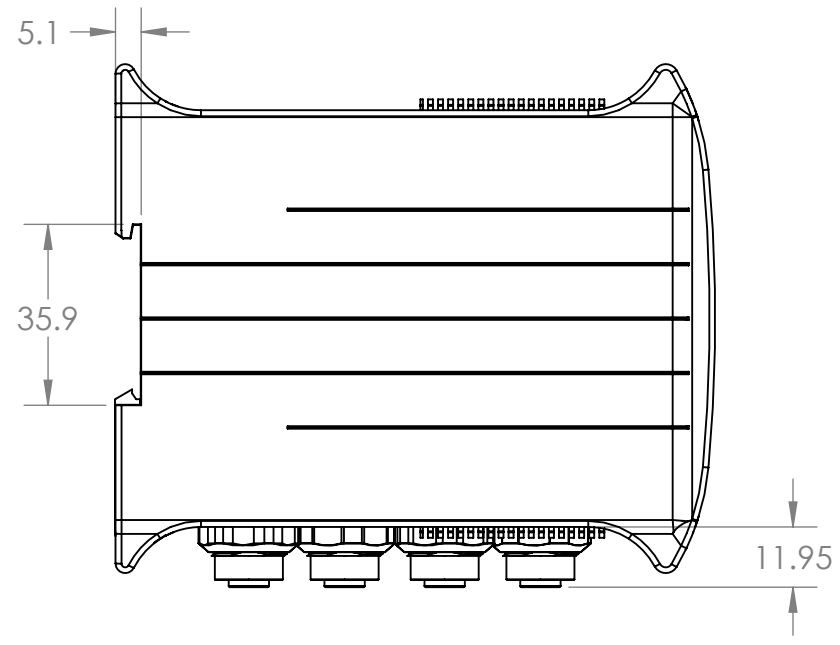


4

3

2

1

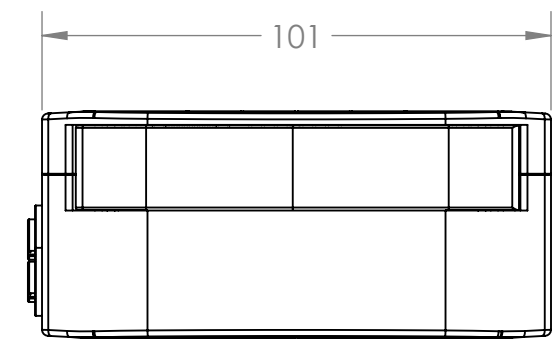
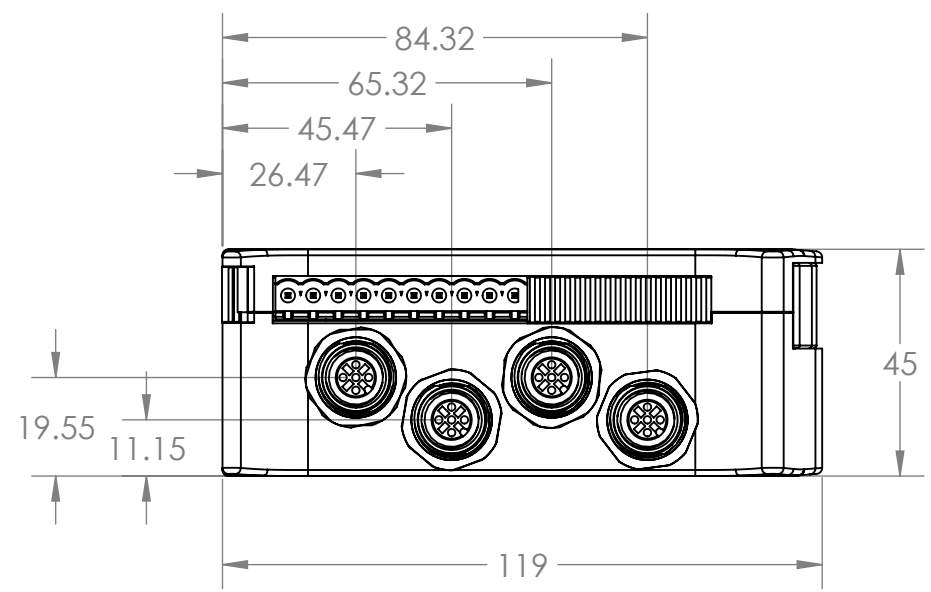


B

B

A

A



**PROPRIETARY AND CONFIDENTIAL**  
 THE INFORMATION CONTAINED IN THIS DRAWING IS THE SOLE PROPERTY OF SmartVisionLights. ANY REPRODUCTION IN PART OR AS A WHOLE WITHOUT THE WRITTEN PERMISSION OF SmartVisionLights IS PROHIBITED.

UNLESS OTHERWISE SPECIFIED:		NAME	DATE
DIMENSIONS ARE IN MM		DRAWN	NC 1/10/2020
TOLERANCES:		CHECKED	MP 1/10/2020
FRACTIONAL ±		ENG APPR.	MP 1/10/2020
ANGULAR: BEND ±		MFG APPR.	MP 1/10/2020
TWO PLACE DECIMAL ±		Q.A.	
THREE PLACE DECIMAL ±		COMMENTS:	
INTERPRET GEOMETRIC TOLERANCING PER:		UNITS ARE IN MILLIMETERS	
MATERIAL			
FINISH			
DO NOT SCALE DRAWING			



SVL PART NO.		
LLM		
SIZE	ENG DWG NO.	REV
<b>B</b>	LLM Light Manager_R2	<b>2</b>
SCALE: 2:3	WEIGHT:	SHEET 1 OF 1

4

3

2

1