

4

3

2

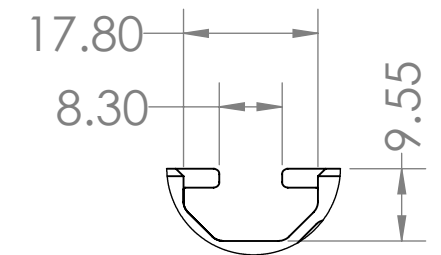
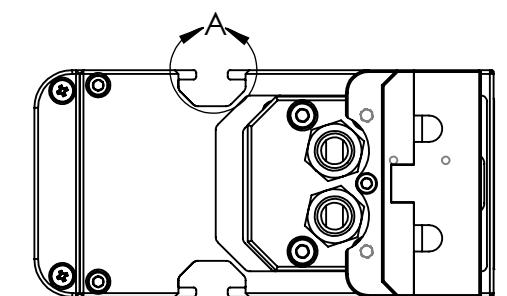
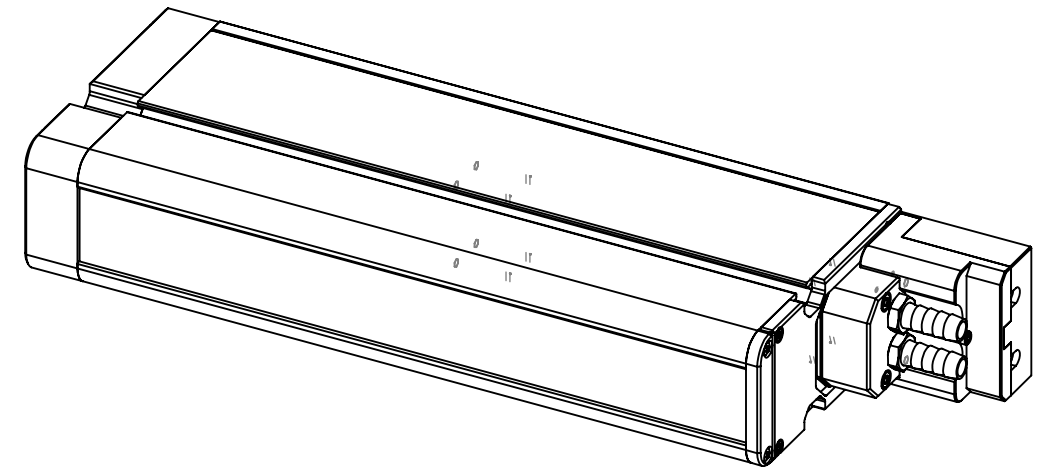
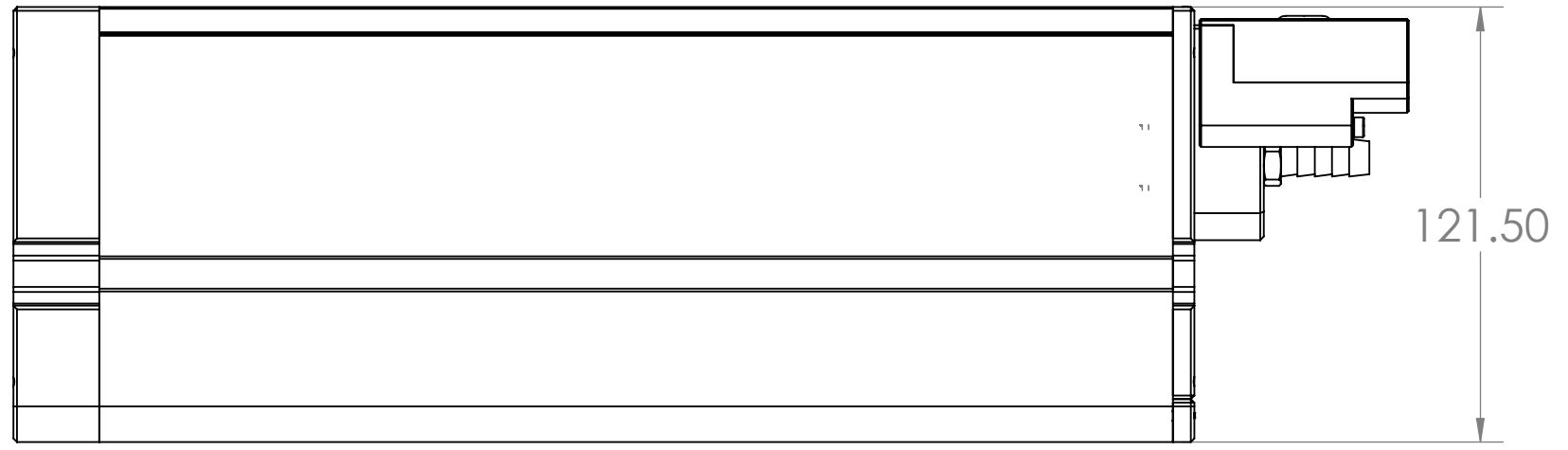
1

B

B

A

A



Mounting Rail
DETAIL A
SCALE 1 : 1

PROPRIETARY AND CONFIDENTIAL
THE INFORMATION CONTAINED IN THIS DRAWING IS THE SOLE PROPERTY OF SmartVisionLights. ANY REPRODUCTION IN PART OR AS A WHOLE WITHOUT THE WRITTEN PERMISSION OF SmartVisionLights IS PROHIBITED.

UNLESS OTHERWISE SPECIFIED:		NAME	DATE
DIMENSIONS ARE IN MM		DRAWN	ASU 5/26/2015
TOLERANCES:		CHECKED	
FRACTIONAL ±		ENG APPR.	
ANGULAR: MACH ± BEND ±		MFG APPR.	
TWO PLACE DECIMAL ±		Q.A.	
THREE PLACE DECIMAL ±		COMMENTS:	
INTERPRET GEOMETRIC TOLERANCING PER:		UNITS ARE IN MILLIMETERS	
MATERIAL			
FINISH			
DO NOT SCALE DRAWING			

		TITLE:	
		SmartVisionLights.com	
SIZE	DWG. NO.	REV	
B	LHP 300	1	
SCALE: 1:2		WEIGHT:	SHEET 1 OF 1