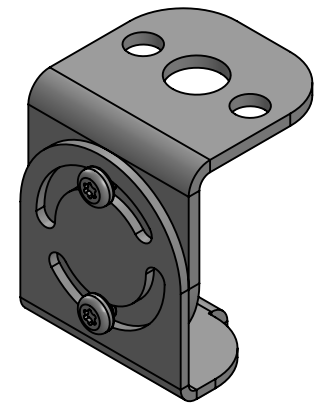
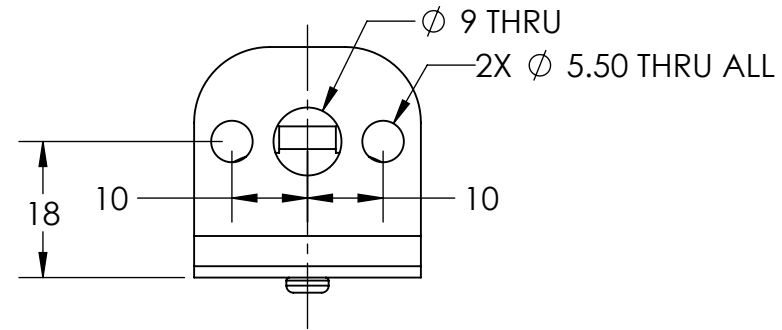


8 7 6 5 4 3 2 1

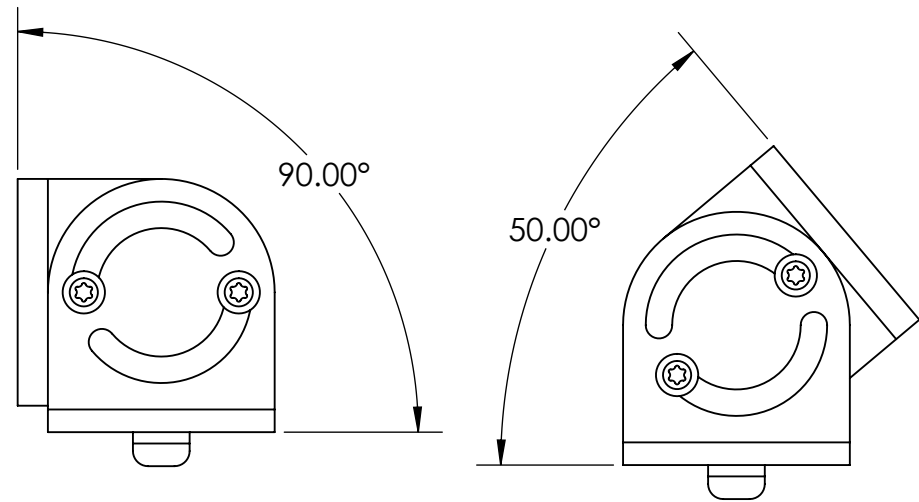
D

D

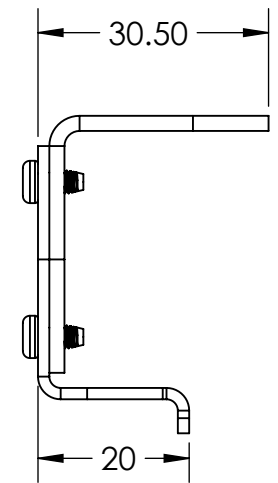
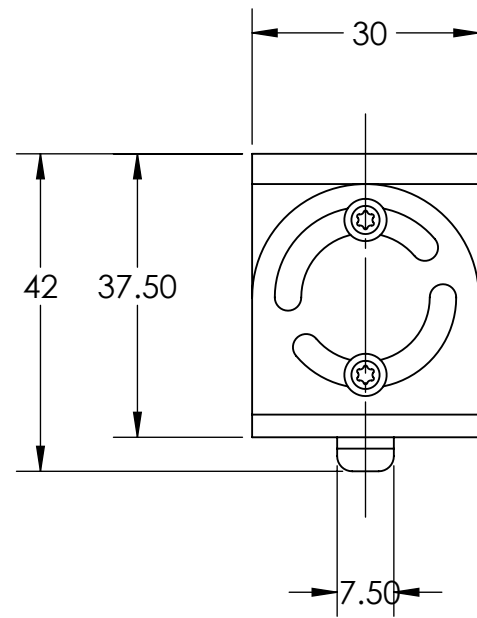


C

C

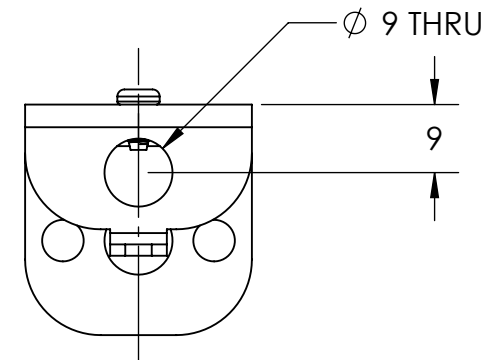


Max Conditions



B

B



A

A

PROPRIETARY AND CONFIDENTIAL
 THE INFORMATION CONTAINED IN THIS DRAWING IS THE SOLE PROPERTY OF SMART VISION LIGHTS. ANY REPRODUCTION IN PART OR AS A WHOLE WITHOUT THE WRITTEN PERMISSION OF SMART VISION LIGHTS IS PROHIBITED.

		UNLESS OTHERWISE SPECIFIED:		NAME	DATE
		DIMENSIONS ARE IN MM	DRAWN	Dykema	6/24/2014
		TOLERANCES:	CHECKED		
		FRACTIONAL $\pm 1-64$	ENG APPR.		
		ANGULAR: MACH $\pm .25^\circ$ BEND $\pm 3^\circ$	MFG APPR.		
		TWO PLACE DECIMAL $\pm .10\text{mm}$	Q.A.		
		THREE PLACE DECIMAL $\pm .01\text{mm}$	COMMENTS:		
		INTERPRET GEOMETRIC TOLERANCING PER:			
		MATERIAL			
		FINISH			
NEXT ASSY	USED ON				
APPLICATION		DO NOT SCALE DRAWING			
			TITLE:		
			LHF300 Mounting Bracket		
SIZE	DWG. NO.		REV		
B			R2		
SCALE: 1:1	WEIGHT:		SHEET 1 OF 1		

8 7 6 5 4 3 2 1