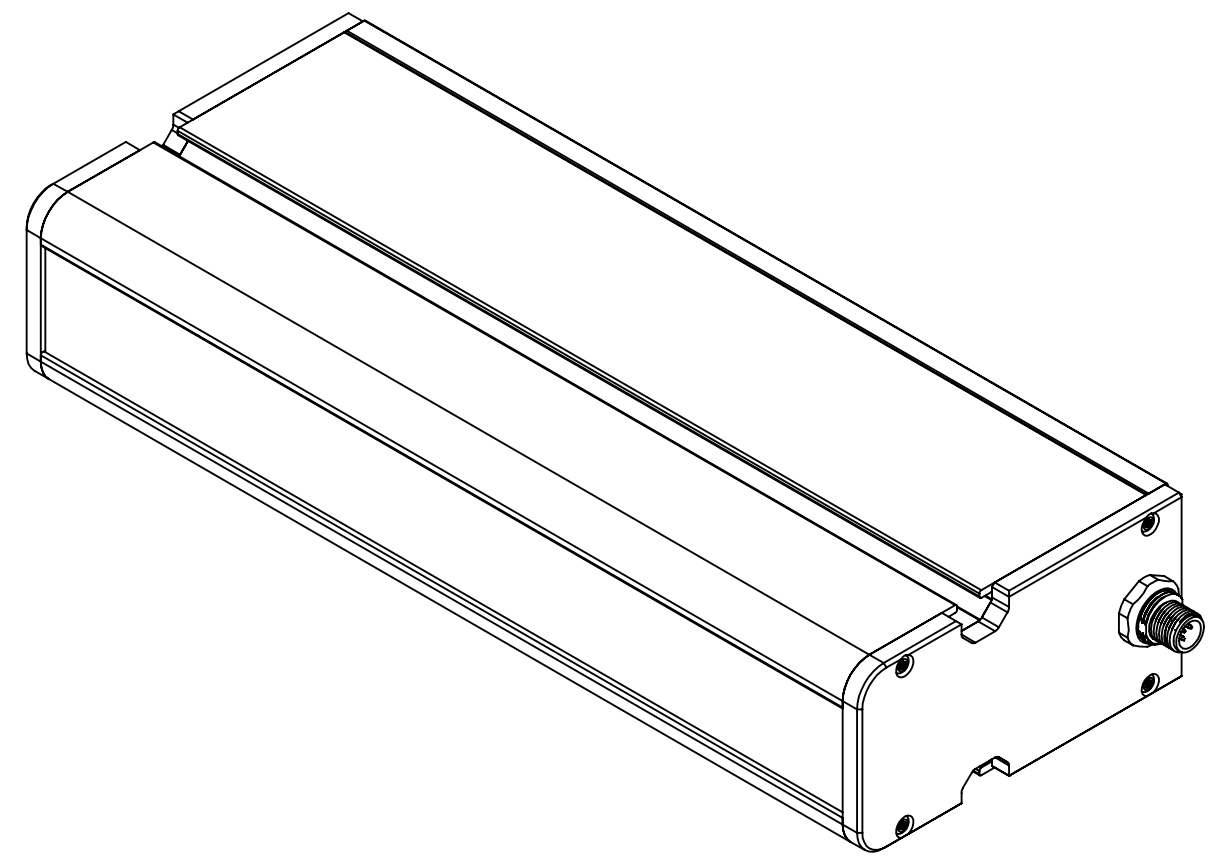
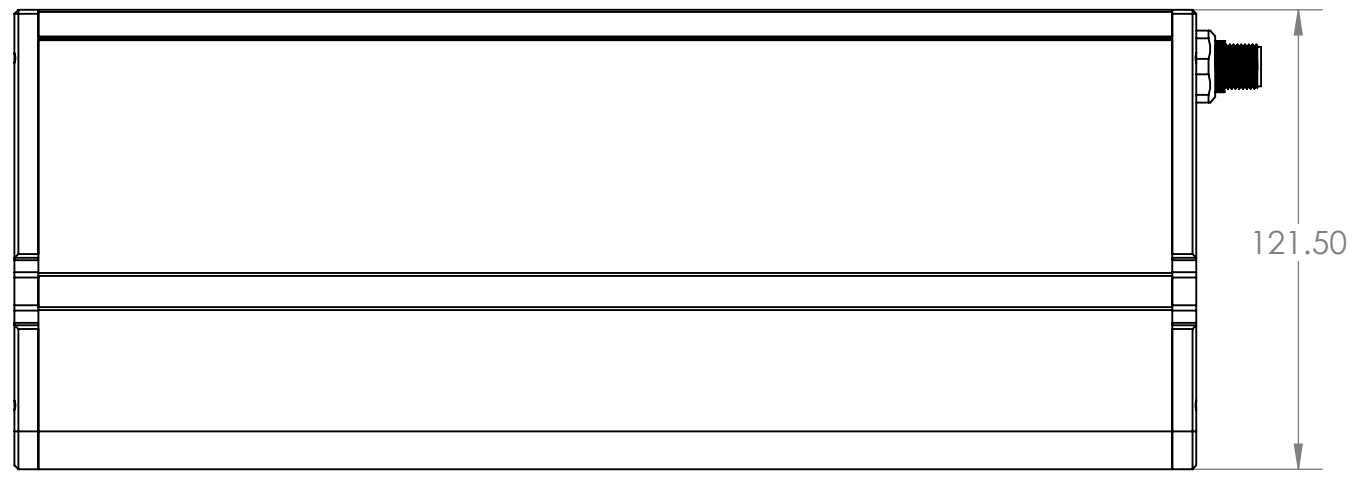


4

3

2

1

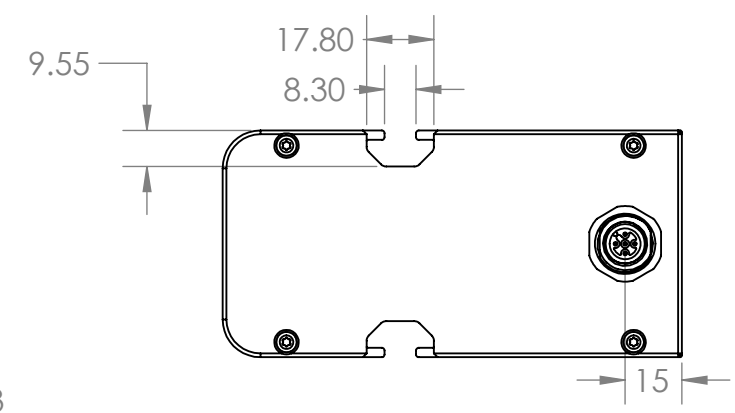
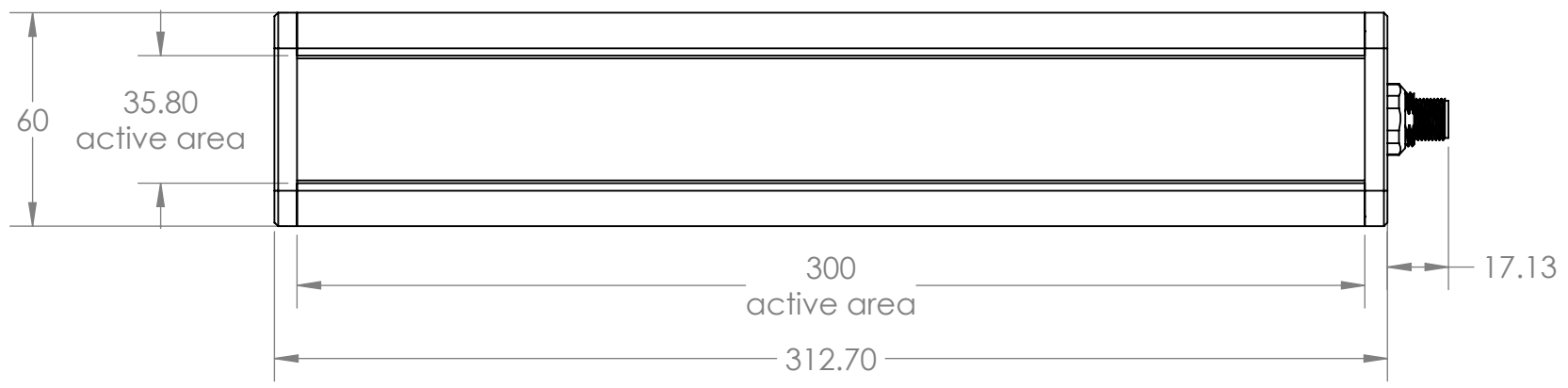


B

B

A

A



UNLESS OTHERWISE SPECIFIED:		NAME	DATE	
DIMENSIONS ARE IN MM		DRAWN	NC 12/14/2016	
TOLERANCES:		CHECKED	MP 12/14/2016	
FRACTIONAL ±		ENG APPR.	MP 12/14/2016	
ANGULAR: BEND ±		MFG APPR.	MP 12/14/2016	
TWO PLACE DECIMAL ±		Q.A.		
THREE PLACE DECIMAL ±		COMMENTS:		
INTERPRET GEOMETRIC TOLERANCING PER:		UNITS ARE IN MILLIMETERS		
MATERIAL				
FINISH				
DO NOT SCALE DRAWING		SIZE	DWG. NO.	REV

PROPRIETARY AND CONFIDENTIAL
 THE INFORMATION CONTAINED IN THIS DRAWING IS THE SOLE PROPERTY OF SmartVisionLights. ANY REPRODUCTION IN PART OR AS A WHOLE WITHOUT THE WRITTEN PERMISSION OF SmartVisionLights IS PROHIBITED.



TITLE:
 SmartVisionLights.com

SCALE: 1:2 WEIGHT: SHEET 1 OF 1

4

3

2

1