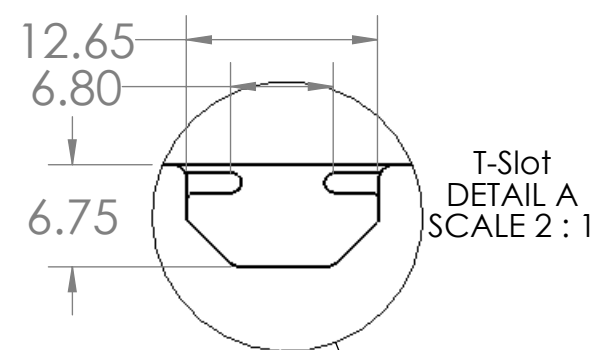


4

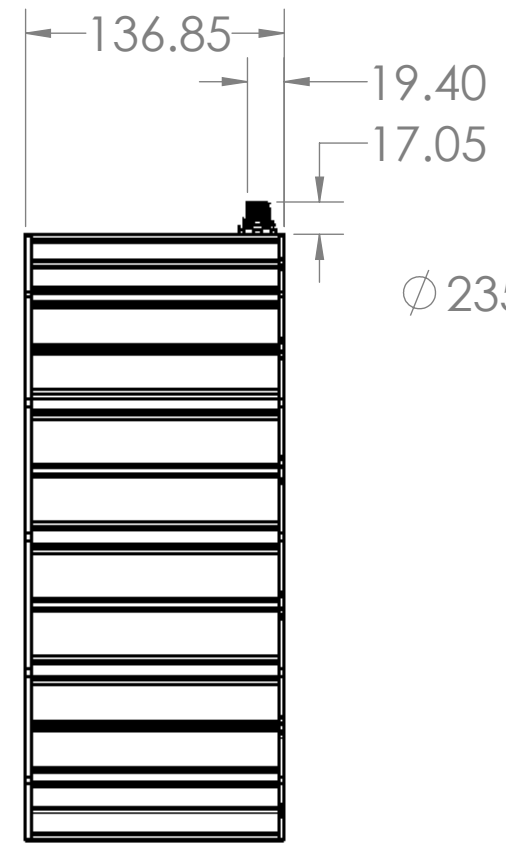
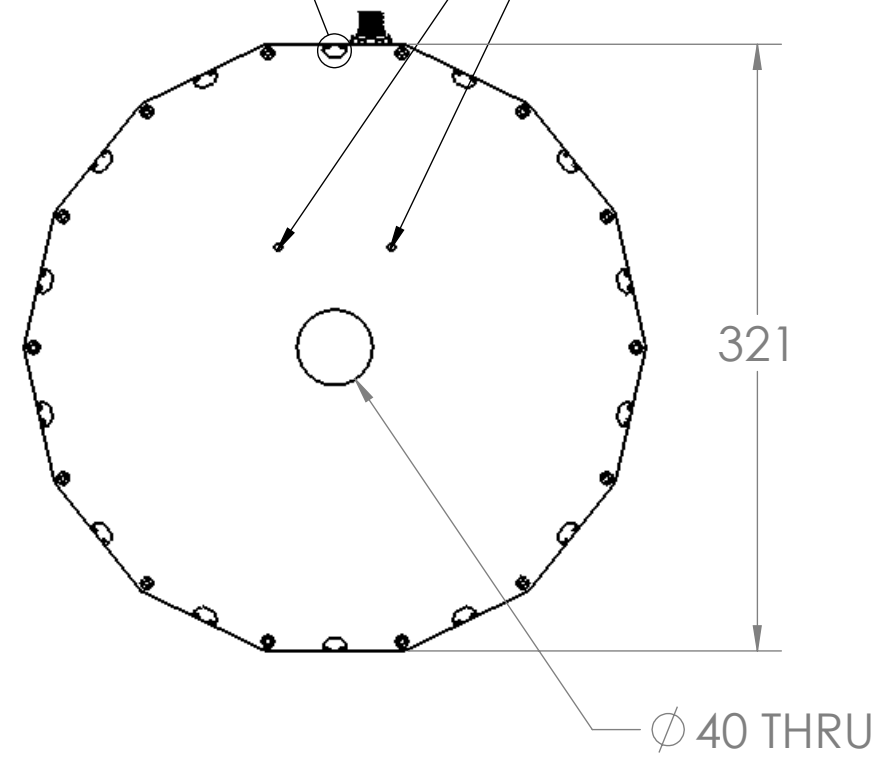
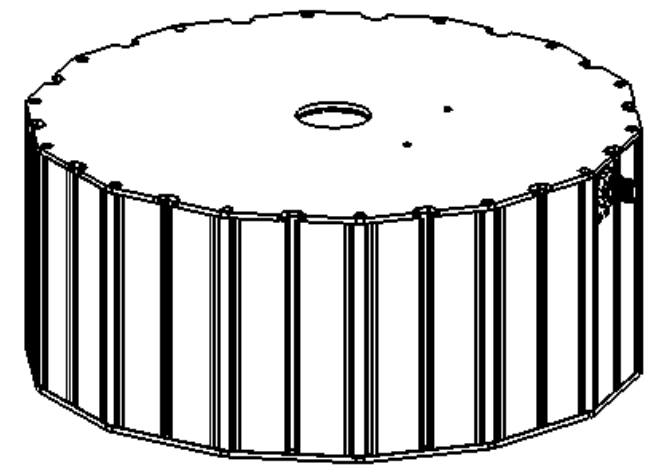
3

2

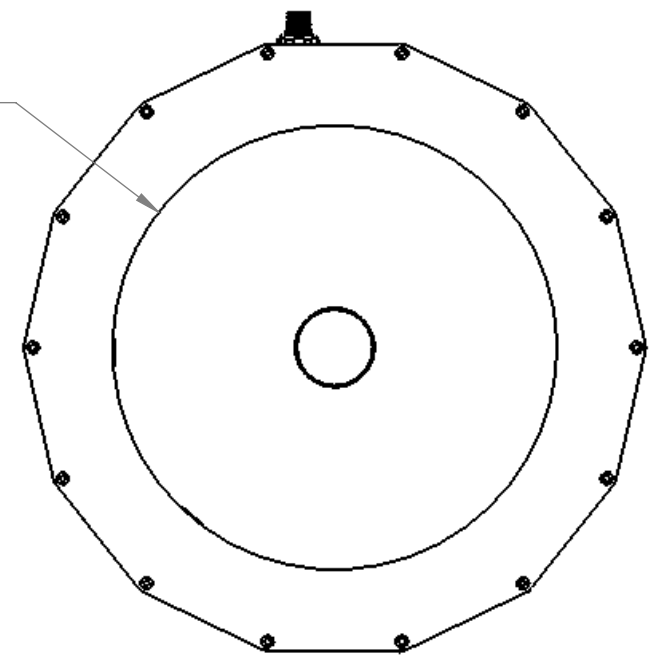
1



CAMERA BRACKET MOUNTING



Ø 235 THRU



B

B

A

A

UNLESS OTHERWISE SPECIFIED:		NAME	DATE
DIMENSIONS ARE IN MM		DRAWN	ASU 9/11/2015
TOLERANCES:		CHECKED	MP 9/11/2015
FRACTIONAL ±		ENG APPR.	MP 9/11/2015
ANGULAR: MACH ± BEND ±		MFG APPR.	MP 9/11/2015
TWO PLACE DECIMAL ±		Q.A.	
THREE PLACE DECIMAL ±		COMMENTS:	
INTERPRET GEOMETRIC TOLERANCING PER:		UNITS ARE IN MILLIMETERS	
MATERIAL			
FINISH			
DO NOT SCALE DRAWING			

PROPRIETARY AND CONFIDENTIAL
 THE INFORMATION CONTAINED IN THIS DRAWING IS THE SOLE PROPERTY OF SmartVisionLights. ANY REPRODUCTION IN PART OR AS A WHOLE WITHOUT THE WRITTEN PERMISSION OF SmartVisionLights IS PROHIBITED.



TITLE:
 SmartVisionLights.com

SIZE	DWG. NO.	REV
B	DDL 250	1
SCALE: 1:4	WEIGHT:	SHEET 1 OF 1

4

3

2

1