

4

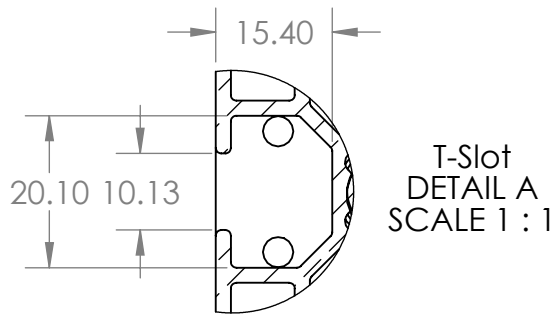
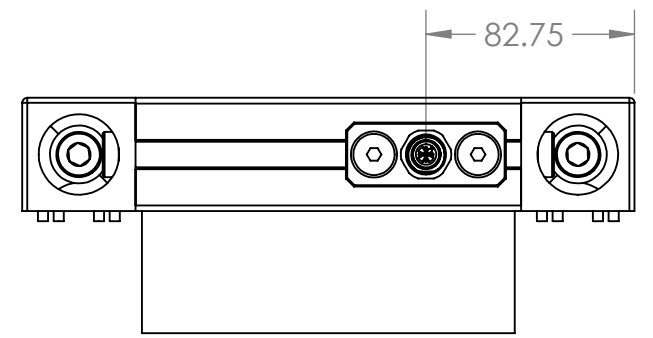
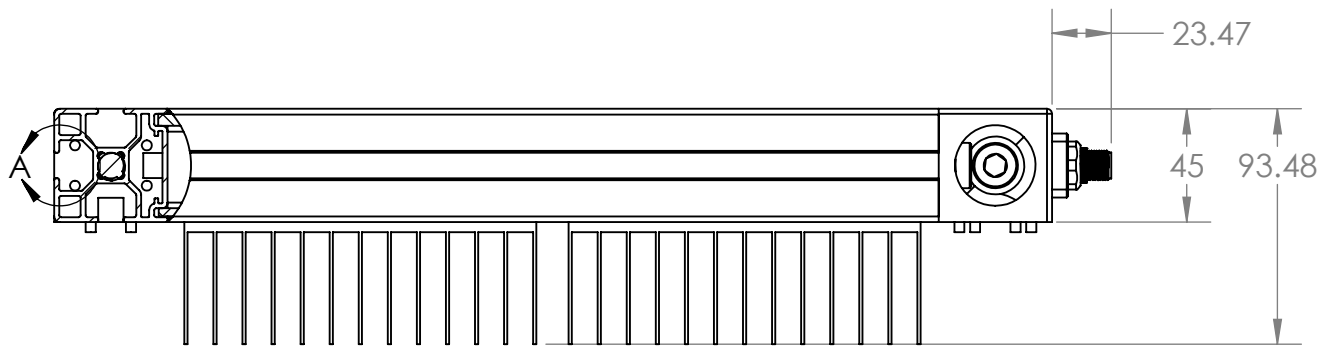
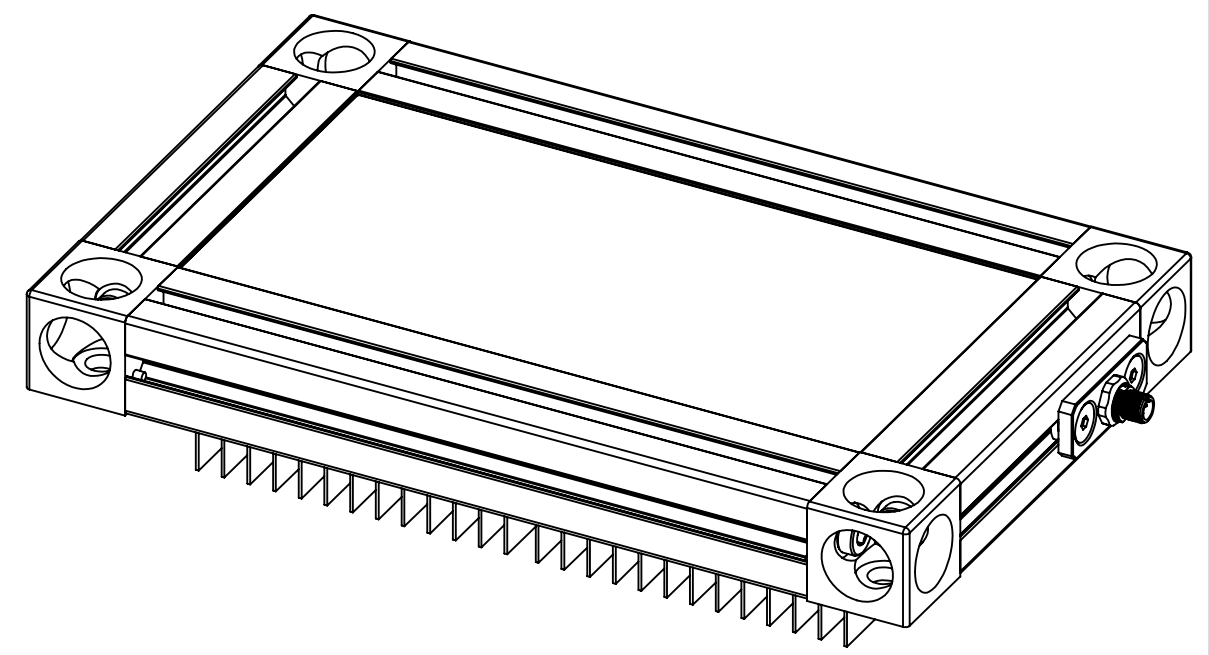
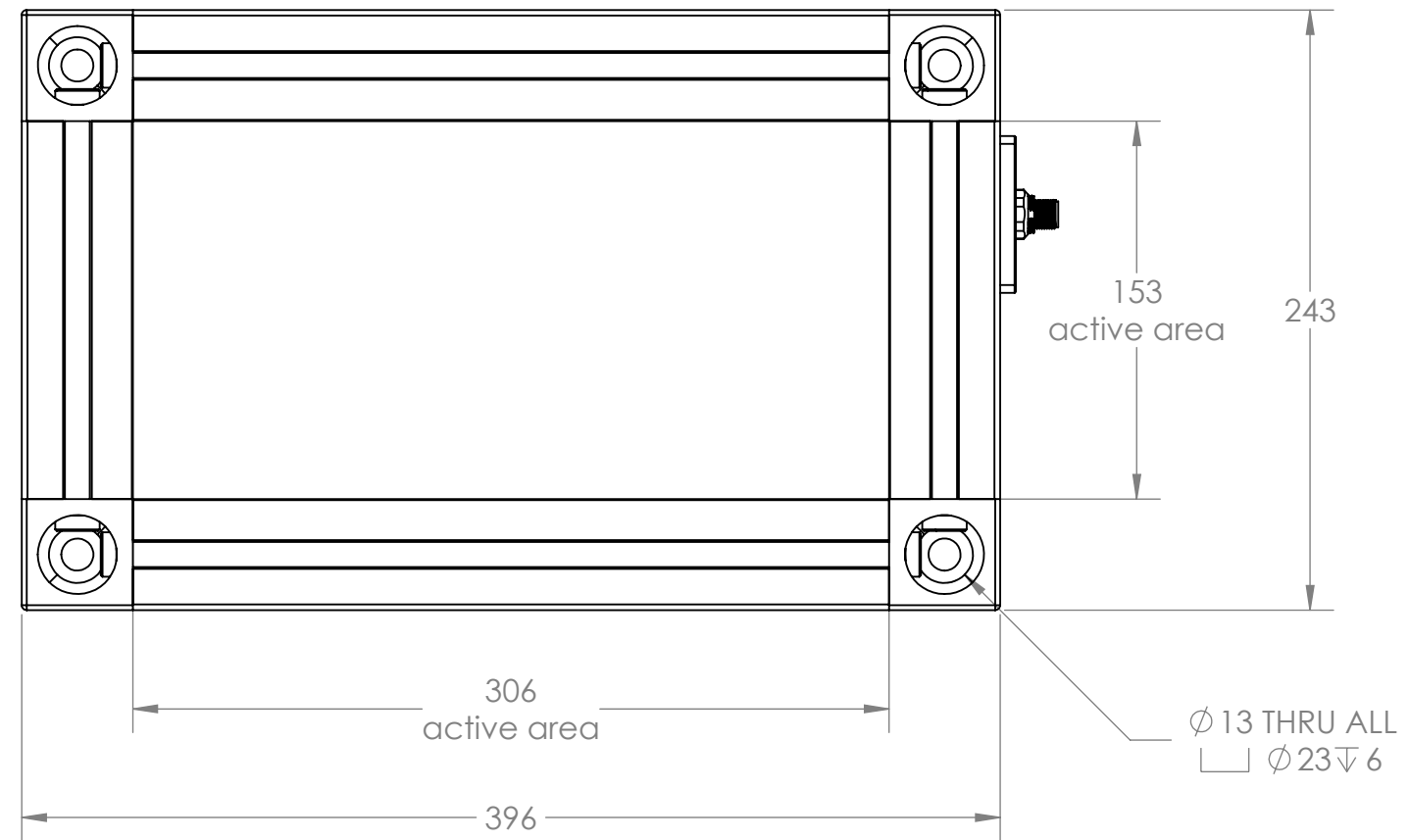
3

2

1

B

B



PROPRIETARY AND CONFIDENTIAL
THE INFORMATION CONTAINED IN THIS DRAWING IS THE SOLE PROPERTY OF SmartVisionLights. ANY REPRODUCTION IN PART OR AS A WHOLE WITHOUT THE WRITTEN PERMISSION OF SmartVisionLights IS PROHIBITED.

UNLESS OTHERWISE SPECIFIED:		NAME	DATE
DIMENSIONS ARE IN MM		DRAWN	ASU 7/26/2016
TOLERANCES:		CHECKED	MP 7/26/2016
FRACTIONAL ± 0.127		ENG APPR.	MP 7/26/2016
ANGULAR: BEND ± 3°		MFG APPR.	MP 7/26/2016
TWO PLACE DECIMAL ± 0.127		Q.A.	
THREE PLACE DECIMAL ± 0.127		COMMENTS:	
INTERPRET GEOMETRIC TOLERANCING PER:	UNITS ARE IN MILLIMETERS		
MATERIAL			
FINISH			
DO NOT SCALE DRAWING			

smart vision lights

TITLE:
SmartVisionLights.com

SIZE	DWG. NO.	REV
B	AL-300x150	1
SCALE: 1:3		WEIGHT:
		SHEET 1 OF 1

4

3

2

1

A

A