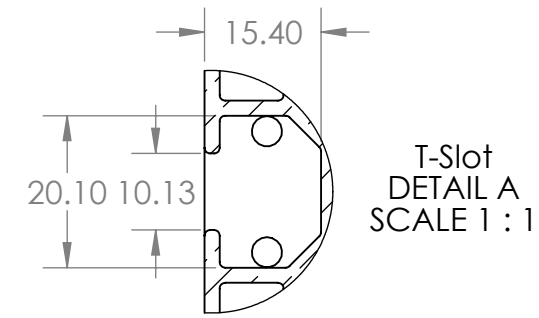
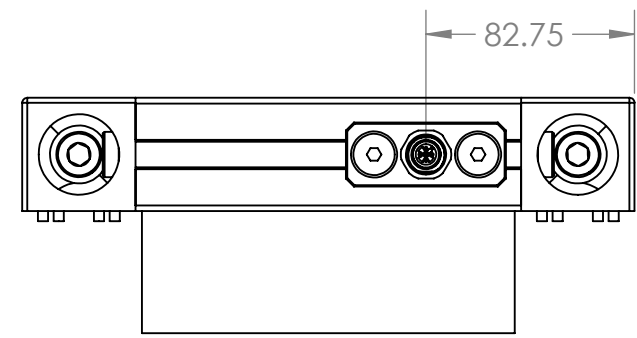
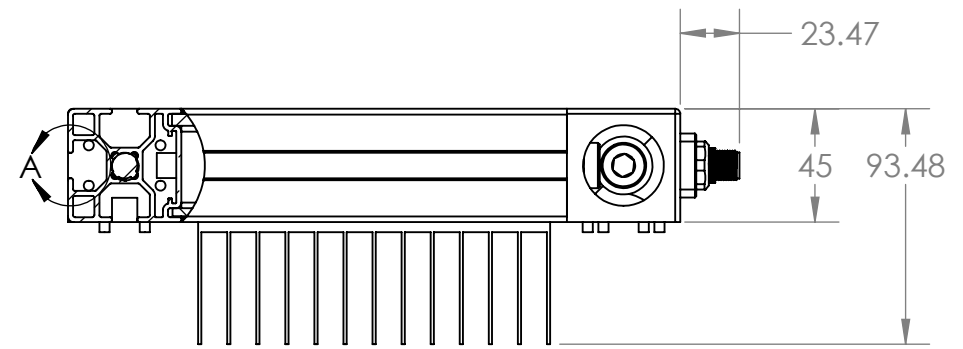
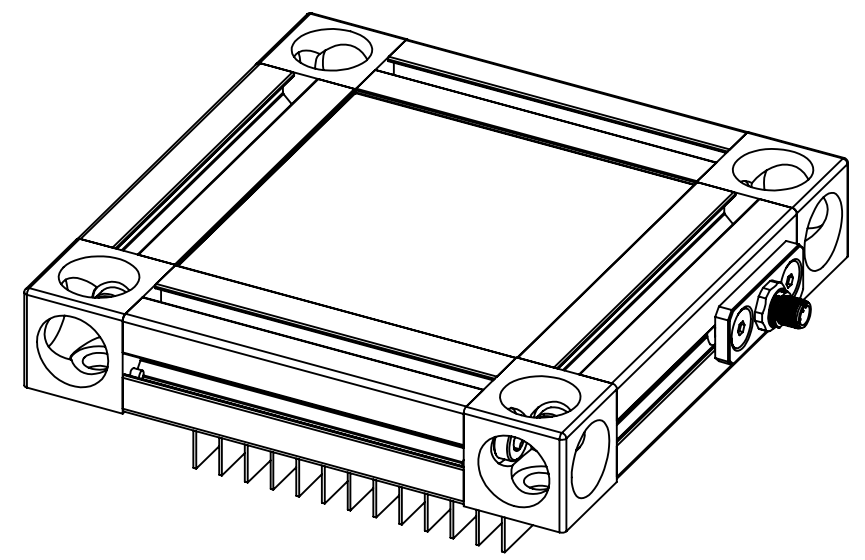
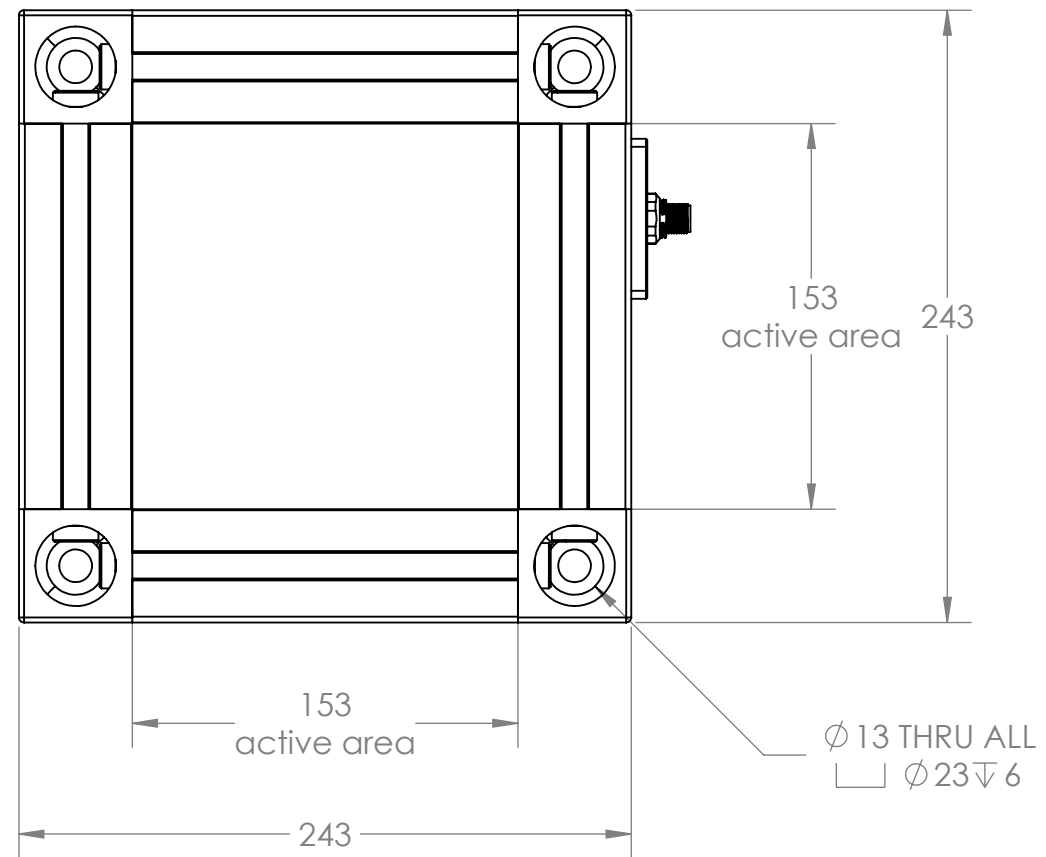


4

3

2

1



UNLESS OTHERWISE SPECIFIED:

DIMENSIONS ARE IN MM	DRAWN	ASU	7/26/2016
TOLERANCES:	CHECKED	MP	7/26/2016
FRACTIONAL ± 0.127	ENG APPR.	MP	7/26/2016
ANGULAR: BEND ± 3°	MFG APPR.	MP	7/26/2016
TWO PLACE DECIMAL ± 0.127	Q.A.		
THREE PLACE DECIMAL ± 0.127	COMMENTS:		
INTERPRET GEOMETRIC TOLERANCING PER:	UNITS ARE IN MILLIMETERS		
MATERIAL			
FINISH			
DO NOT SCALE DRAWING			

PROPRIETARY AND CONFIDENTIAL
THE INFORMATION CONTAINED IN THIS DRAWING IS THE SOLE PROPERTY OF SmartVisionLights. ANY REPRODUCTION IN PART OR AS A WHOLE WITHOUT THE WRITTEN PERMISSION OF SmartVisionLights IS PROHIBITED.



TITLE:
SmartVisionLights.com

SIZE	DWG. NO.	REV
B	AL-150x150	1
SCALE: 1:3	WEIGHT:	SHEET 1 OF 1

4

3

2

1

B

B

A

A