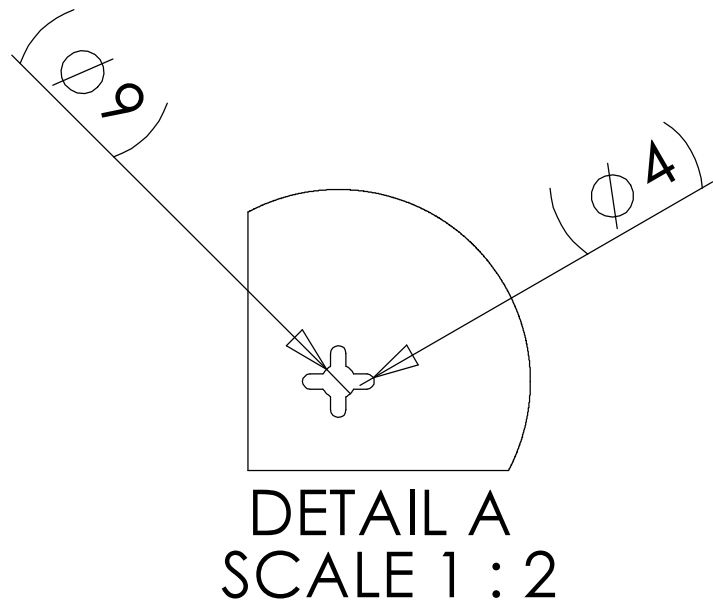
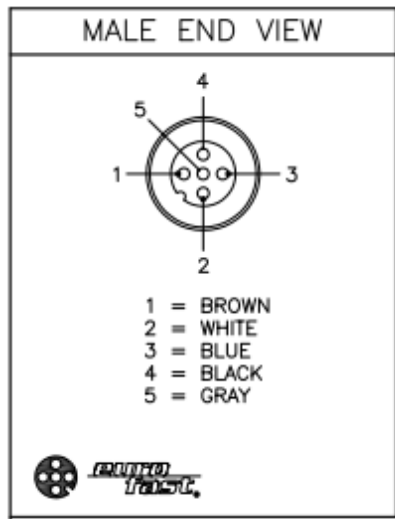
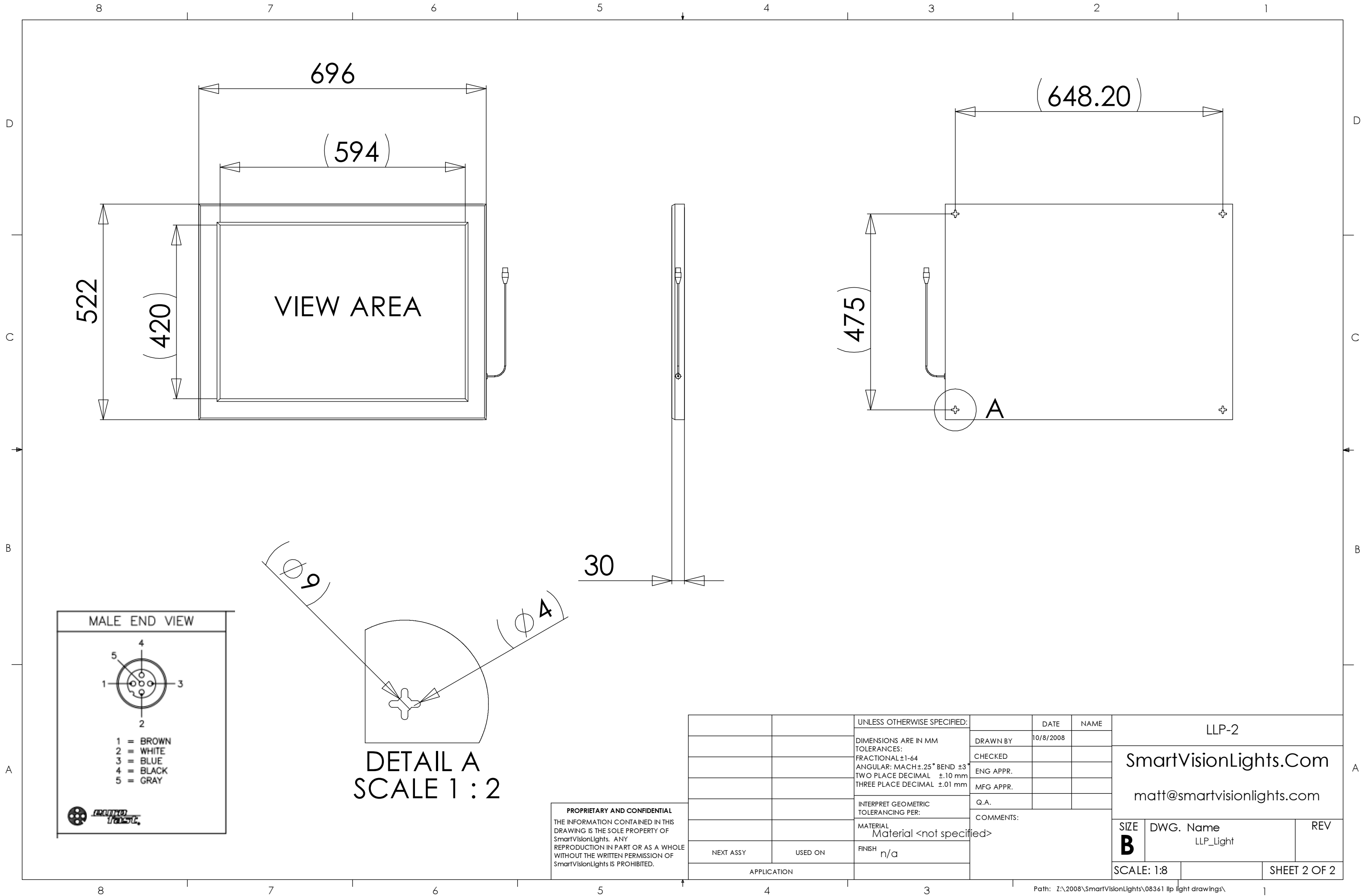


PROPRIETARY AND CONFIDENTIAL
 THE INFORMATION CONTAINED IN THIS DRAWING IS THE SOLE PROPERTY OF SmartVisionLights. ANY REPRODUCTION IN PART OR AS A WHOLE WITHOUT THE WRITTEN PERMISSION OF SmartVisionLights IS PROHIBITED.

		UNLESS OTHERWISE SPECIFIED:	DATE	NAME	LLP-1	
		DIMENSIONS ARE IN MM	DRAWN BY	10/8/2008	SmartVisionLights.Com	
		TOLERANCES:	CHECKED		matt@smartvisionlights.com	
		FRACTIONAL $\pm 1/64$	ENG APPR.		SIZE	DWG. Name
		ANGULAR: MACH $\pm .25^\circ$ BEND $\pm 3^\circ$	MFG APPR.		B	LLP_Light
		TWO PLACE DECIMAL $\pm .10$ mm	Q.A.		SCALE: 1:8	REV
		THREE PLACE DECIMAL $\pm .01$ mm	COMMENTS:			
		INTERPRET GEOMETRIC TOLERANCING PER:				
		MATERIAL				
		Material <not specified>				
NEXT ASSY	USED ON	FINISH				
		n/a				
APPLICATION						



PROPRIETARY AND CONFIDENTIAL
THE INFORMATION CONTAINED IN THIS DRAWING IS THE SOLE PROPERTY OF SmartVisionLights. ANY REPRODUCTION IN PART OR AS A WHOLE WITHOUT THE WRITTEN PERMISSION OF SmartVisionLights IS PROHIBITED.

		UNLESS OTHERWISE SPECIFIED:	DATE	NAME	LLP-2	
		DIMENSIONS ARE IN MM	DRAWN BY	10/8/2008	SmartVisionLights.Com	
		TOLERANCES:	CHECKED		matt@smartvisionlights.com	
		FRACTIONAL ±1-64	ENG APPR.		SIZE	DWG. Name
		ANGULAR: MACH ±.25° BEND ±3°	MFG APPR.		B	LLP_Light
		TWO PLACE DECIMAL ±.10 mm	Q.A.		SCALE: 1:8	REV
		THREE PLACE DECIMAL ±.01 mm	COMMENTS:			
		INTERPRET GEOMETRIC TOLERANCING PER:				
		MATERIAL				
		Material <not specified>				
		FINISH				
		n/a				
NEXT ASSY	USED ON	APPLICATION				